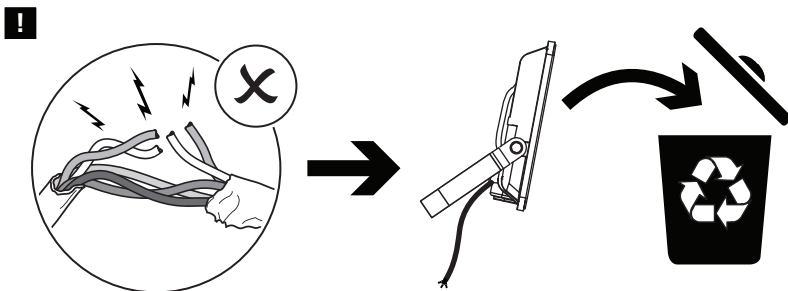
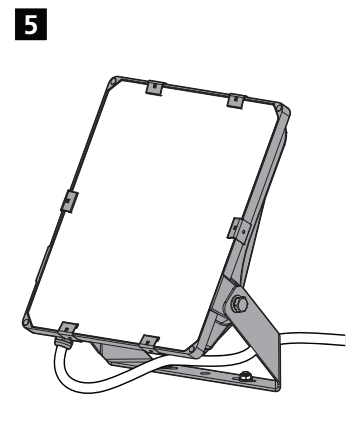
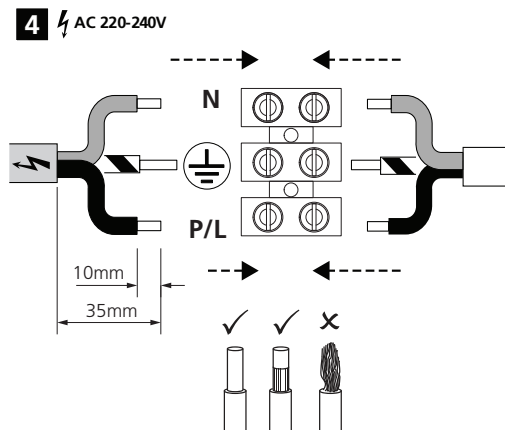
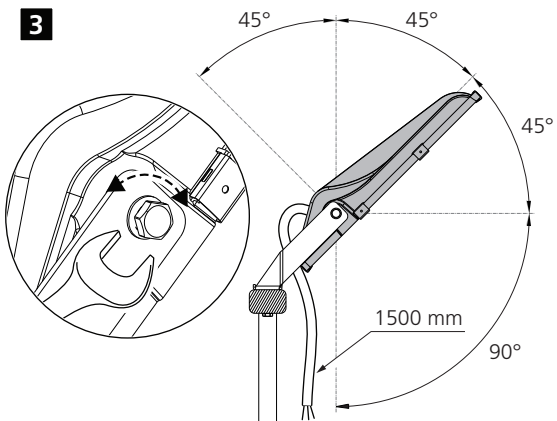
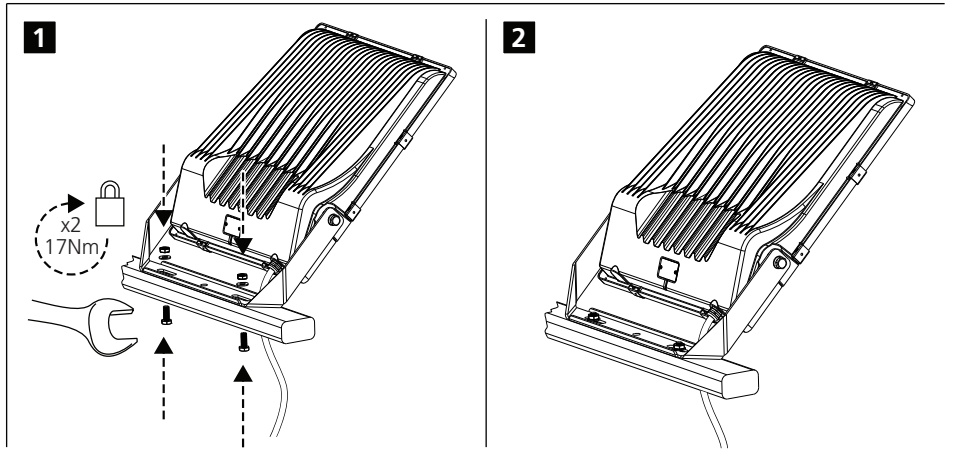
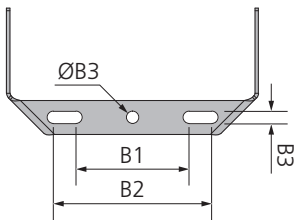


Power [W]	L [mm]	W [mm]	H [mm]	Kg	m ²	B1 [mm]	B2 [mm]	B3 [mm]
50	314	240	63	2.5	0.052	100	140	11
100	418	330	77	3.9	0.094	130	190	11
150	451	330	77	4.6	0.106	130	190	11
200	494	395	87	6.2	0.142	200	260	11
300	567	465	97	9.6	0.199	200	280	12



The external flexible cable or cord of this luminaire cannot be replaced; if the cord is damaged, the luminaire shall be destroyed