

## Beacon Muse 26W

*Beacon Muse 26W 3K Trailing Edge L1 White*  
2052843



### Product features

- Integrated LED spotlight, white RAL 9016, unique helix mechanism for adjusting beam angle from a 10° spot to a 65° flood, compact and minimalist design, ideal for museum, gallery and high-end retail applications, die-cast aluminium body, passive cooling heatsink, beam angle: 10° spot to 65° flood, optics: diffuse lens, colour temperature: 3000K warm white, total system power: 29W, total fixture output: 837lm, LOR: 100%, colour rendering: Ra 97 typical, LED Chromacity: 3 step MacAdam ellipse, lifetime: 50,000 hours at 70% of the original output (L70), energy class: A++, A+, A, IR/UV free light source without heat radiation, operating voltage: 220-240V / 50-60Hz, electronic driver, trailing edge dimmable, electrical protection: CLASS I, single circuit track adaptor, suitable for Concord Lytespan 1 track, ingress protection rating: IP20, suitable for internal environment only, horizontal rotation: 355°, vertical tilt: 90°, lockable positioning using Allen key, dimensions: Ø79x167x85mm, weight: 1.2kg.

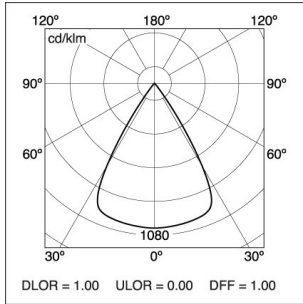


### PRODUCT OVERVIEW

Product name	Beacon Muse 26W 3K Trailing Edge L1 White
Technology	LED
Housing	Aluminium
Mount	Track mounting
Environment	Interior
General application	Museums & Galleries
ETIM Class	EC001744
E-number FI	4274527
Fixture luminous flux (lm)	837
LOR (%)	100
Colour temperature (K)	3000
Colour Consistency (SDCM)	3
Beam Angle (°)	10
Total power consumption (W)	26
Electrical protection	Class I
Control gear type	Electronic ballast
Control gear mounting	Integrated
Housing colour	White
IP rating	IP20
IK rating	IK02
Product EAN number	5025768528431

### PHOTOMETRY

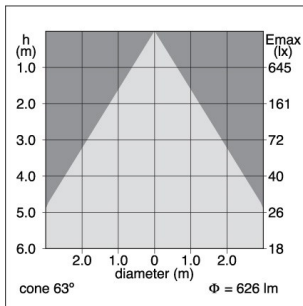
## Beacon Muse 26W Beacon Muse 26W 3K Trailing Edge L1 White 2052843



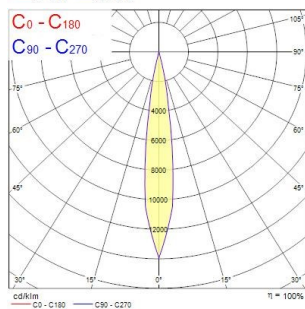
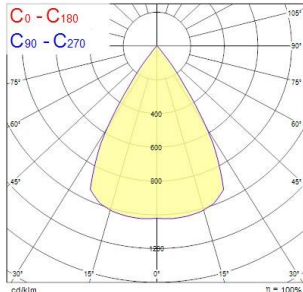
3000K

Distance [m]	Cone diameter [m]	Beam diameter [m]	Beam diameter [ft]	Beam diameter [in]	Illuminance [lx]
0.5	0.62	5.0'	31.9"	34.8	1080
1.0	1.24	5.0'	31.9"	69.6	269
1.5	1.87	5.0'	31.9"	104.4	115
2.0	2.49	5.0'	31.9"	139.2	65
2.5	3.11	5.0'	31.9"	174.0	42
3.0	3.73	5.0'	31.9"	208.8	31

Distance [m] Cone diameter [m]  
C0 - C180 (Half beam angle: 63.9°)



3000K



Distance [m]	Cone diameter [m]	Beam diameter [m]	Beam diameter [ft]	Beam diameter [in]	Illuminance [lx]
0.5	0.13	5.0'	7.5"	21.3	1080
1.0	0.26	5.0'	7.5"	42.6	269
1.5	0.39	5.0'	7.5"	63.9	115
2.0	0.53	5.0'	7.5"	85.2	65
2.5	0.66	5.0'	7.5"	106.5	42
3.0	0.79	5.0'	7.5"	127.8	31

Distance [m] Cone diameter [m]  
C0 - C180 (Half beam angle: 15.9°)

## TECHNICAL DRAWINGS

## Beacon Muse 26W

*Beacon Muse 26W 3K Trailing Edge L1 White*

2052843

