

Beacon Muse 26W

Beacon Muse 26W 3K Trailing Edge L1 White

2052843



Product features

- Integrated LED spotlight, white RAL 9016, unique helix mechanism for adjusting beam angle from a 10° spot to a 65° flood, compact and minimalist design, ideal for museum, gallery and high-end retail applications, die-cast aluminium body, passive cooling heatsink, beam angle: 10° spot to 65° flood, optics: diffuse lens, colour temperature: 3000K warm white, total system power: 29W, total fixture output: 837lm, LOR: 100%, colour rendering: Ra 97 typical, LED Chromacity: 3 step MacAdam ellipse, lifetime: 50,000 hours at 70% of the original output (L70), energy class: A++, A+, A, IR/UV free light source without heat radiation, operating voltage: 220-240V / 50-60Hz, electronic driver, trailing edge dimmable, electrical protection: CLASS I, single circuit track adaptor, suitable for Concord Lytespan 1 track, ingress protection rating: IP20, suitable for internal environment only, horizontal rotation: 355°, vertical tilt: 90°, lockable positioning using Allen key, dimensions: Ø79x167x85mm, weight: 1.2kg.



PRODUCT OVERVIEW

Product name	Beacon Muse 26W 3K Trailing Edge L1 White
Technology	LED
Housing	Aluminium
Mount	Track mounting
Environment	Interior
General application	Museums & Galleries
ETIM Class	EC001744
E-number FI	4274527
Fixture luminous flux (lm)	837
LOR (%)	100
Colour temperature (K)	3000
Colour Consistency (SDCM)	3
Beam Angle (°)	10
Total power consumption (W)	26
Electrical protection	Class I
Control gear type	Electronic ballast
Control gear mounting	Integrated
Housing colour	White
IP rating	IP20
IK rating	IK02
Product EAN number	5025768528431

DATA TABLE

General data

Product name	Beacon Muse 26W 3K Trailing Edge L1 White
Technology	LED
Housing	Aluminium
Mount	Track mounting
Environment	Interior
General application	Museums & Galleries
ETIM Class	EC001744

Beacon Muse 26W

Beacon Muse 26W 3K Trailing Edge L1 White

2052843

E-number FI 4274527

Optical data

Fixture luminous flux (lm)	837
LOR (%)	100
Colour temperature (K)	3000
Correlated colour temperature range (K)	3000 - 3000
Colour Consistency (SDCM)	3
Adjustable chromaticity	N
Beam Angle (°)	10
Distribution type	Direct

Electrical data

Total power consumption (W)	26
Mains voltage (V)	220-240V~
Electrical protection	Class I
Control gear type	Electronic ballast
Control gear mounting	Integrated
Transformer required	Yes

Physical data

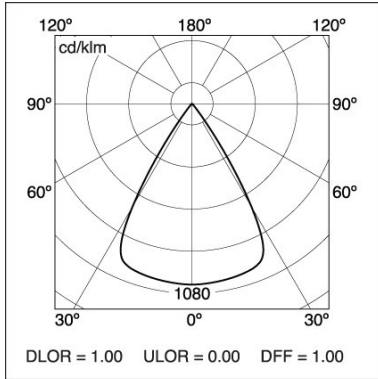
Housing colour	White
IP rating	IP20
IK rating	IK02
Reflector finish	None
Nominal Product Height (mm)	167
Max. Lamp Diameter (mm) - D	79
Weight (kg)	1.315

Packaging

Single packaging type	Carton
Product EAN number	5025768528431
Packaging single length / height (cm)	17.5
Packaging single width (cm)	15.0
Packaging single depth (cm)	17.5
Units per outer package	1
Packaging outer length / height (cm)	17.5
Packaging outer width (cm)	15.0
Packaging outer depth (cm)	17.5

PHOTOMETRY

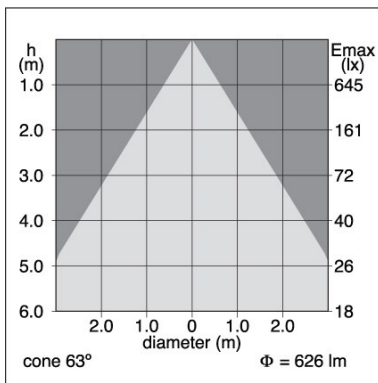
Beacon Muse 26W Beacon Muse 26W 3K Trailing Edge L1 White 2052843



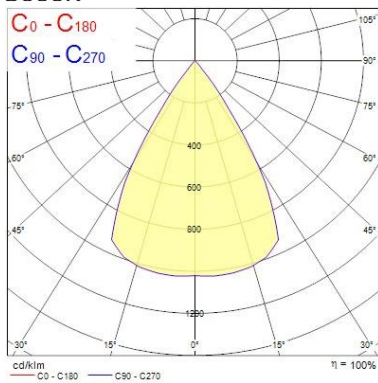
3000K

0.5	0.62	E(0°) E(CO)	31.9°	2418 1083
1.0	1.24	E(0°) E(CO)	31.9°	864 286
1.5	1.87	E(0°) E(CO)	31.9°	330 118
2.0	2.49	E(0°) E(CO)	31.9°	214 86
2.5	3.11	E(0°) E(CO)	31.9°	137 43
3.0	3.73	E(0°) E(CO)	31.9°	95 31

Distance [m] Cone diameter [m] Illuminance [lx]
CO - C180 (Half beam angle: 63.8°)



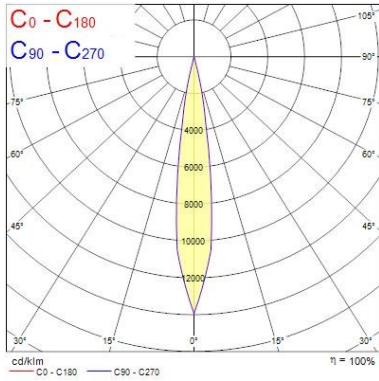
3000K



0.5	0.13	E(0°) E(CO)	7.5°	21782 10747
1.0	0.26	E(0°) E(CO)	7.5°	5438 2687
1.5	0.39	E(0°) E(CO)	7.5°	2417 1194
2.0	0.53	E(0°) E(CO)	7.5°	1399 672
2.5	0.66	E(0°) E(CO)	7.5°	870 430
3.0	0.79	E(0°) E(CO)	7.5°	604 299

Distance [m] Cone diameter [m] Illuminance [lx]
CO - C180 (Half beam angle: 15.9°)

Beacon Muse 26W *Beacon Muse 26W 3K Trailing Edge L1 White* 2052843



TECHNICAL DRAWINGS

