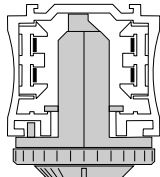
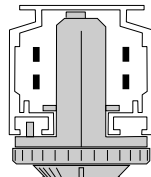


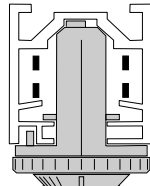
**Concord**  
Lytespan 3



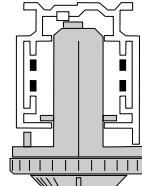
**Lumiance Microtrack**



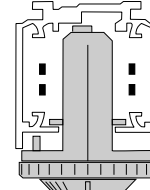
**Eutrac**  
25 \_\_\_  
26 \_\_\_  
460 \_\_\_  
19 \_\_\_



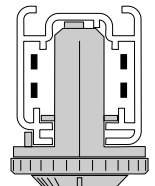
**Staff**  
280 \_\_\_  
**Erco**  
783 \_\_\_  
134 \_\_\_



**Nordic Aluminium**  
XTS(F)  
XTS  
XTTS  
XTSC



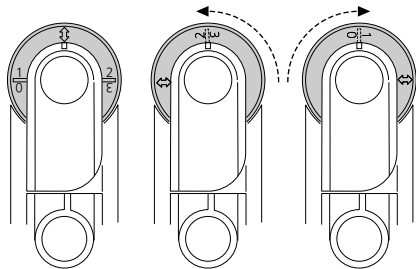
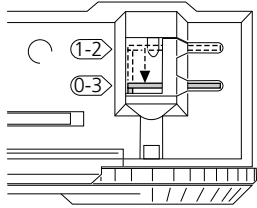
**Hoffmeister**  
093 \_\_\_



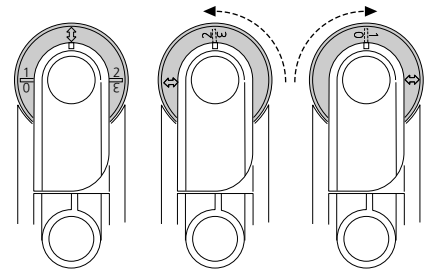
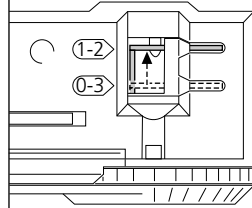
**Iguzzini**  
893 \_\_\_  
896 \_\_\_  
897 \_\_\_

**?**

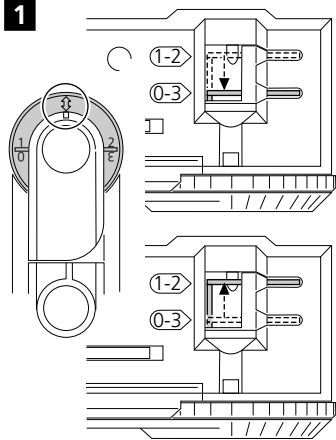
P/L - 3 & N - 0



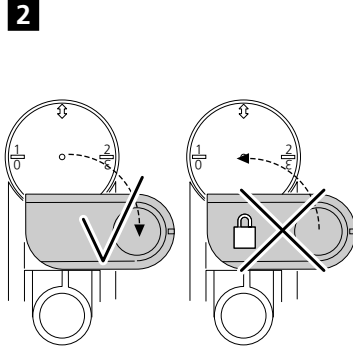
P/L - 1 & P/L - 2



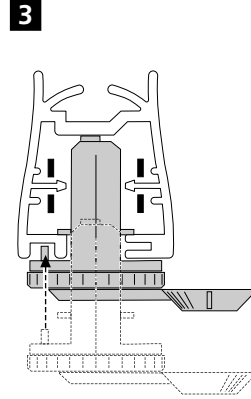
**1**



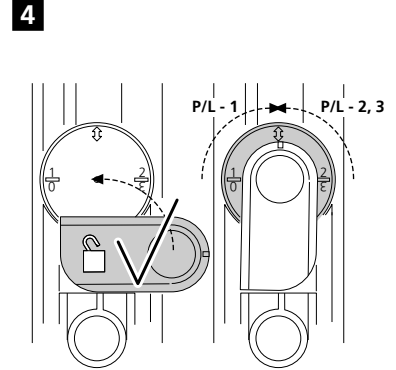
**2**



**3**

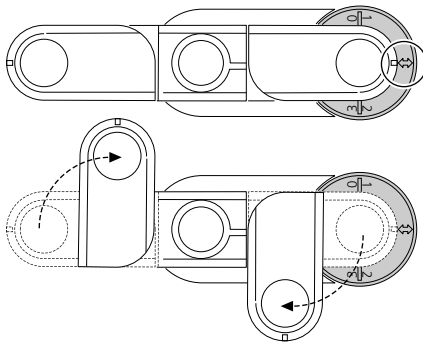


**4**

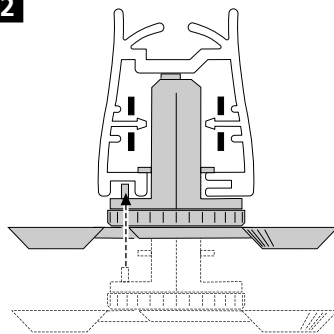


**Kg**

**1**



**2**



**3**

