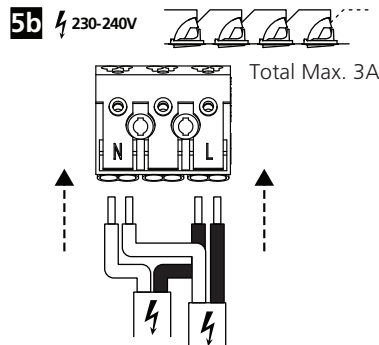
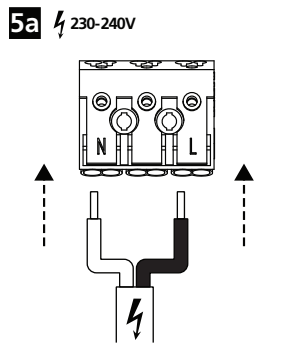
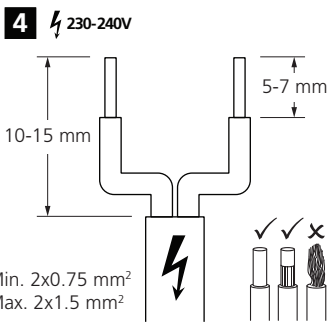
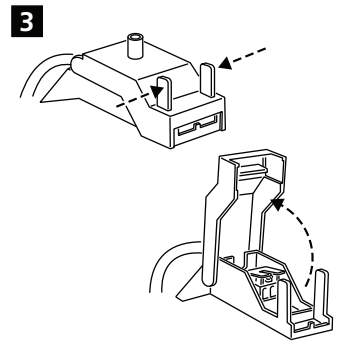
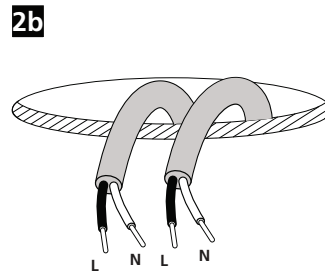
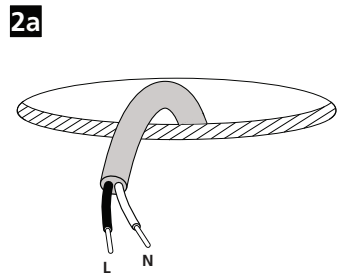
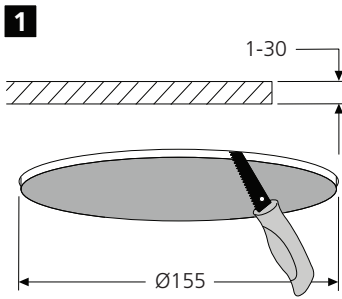
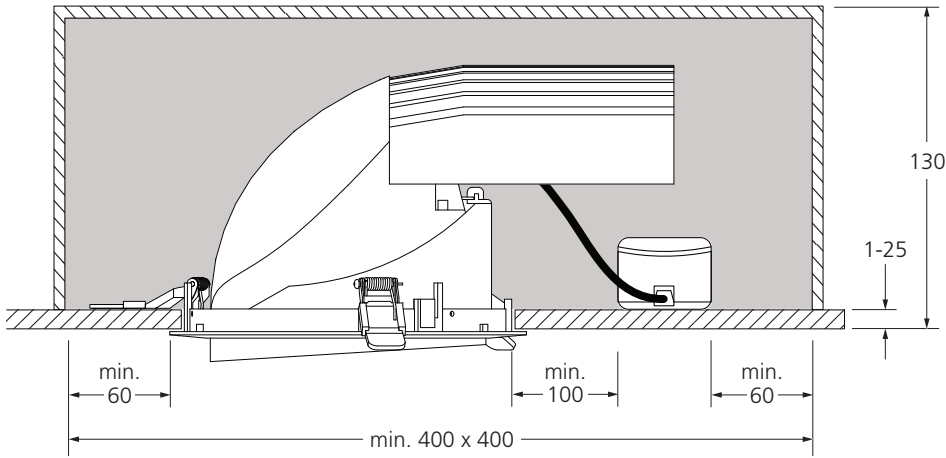
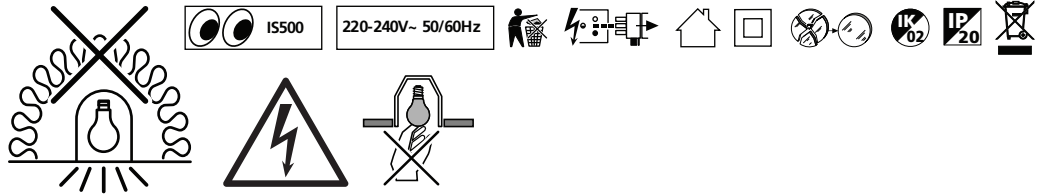


0060582
0060583
0060584
0060585



0060582-83
Max. 25pcs. on 10A C-type breaker
Max. 38pcs. on 16A C-type breaker
0060584-85
Max. 20pcs. on 10A C-type breaker
Max. 30pcs. on 16A C-type breaker

