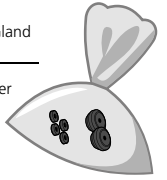
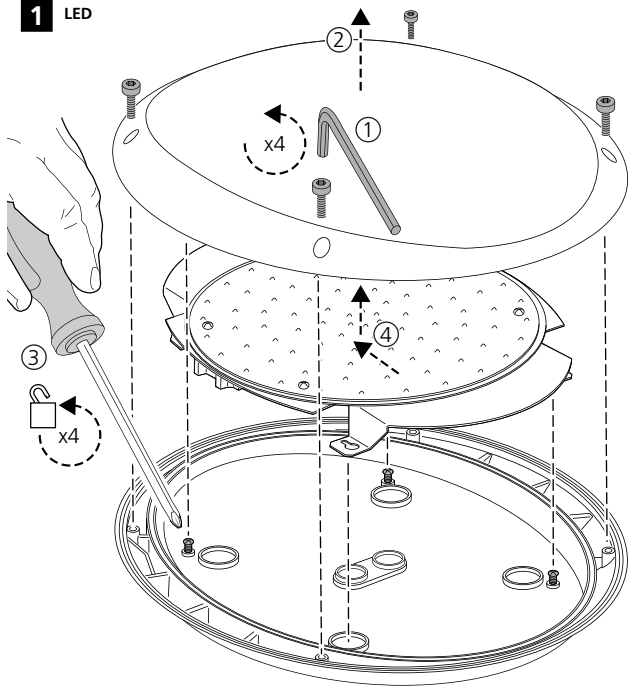


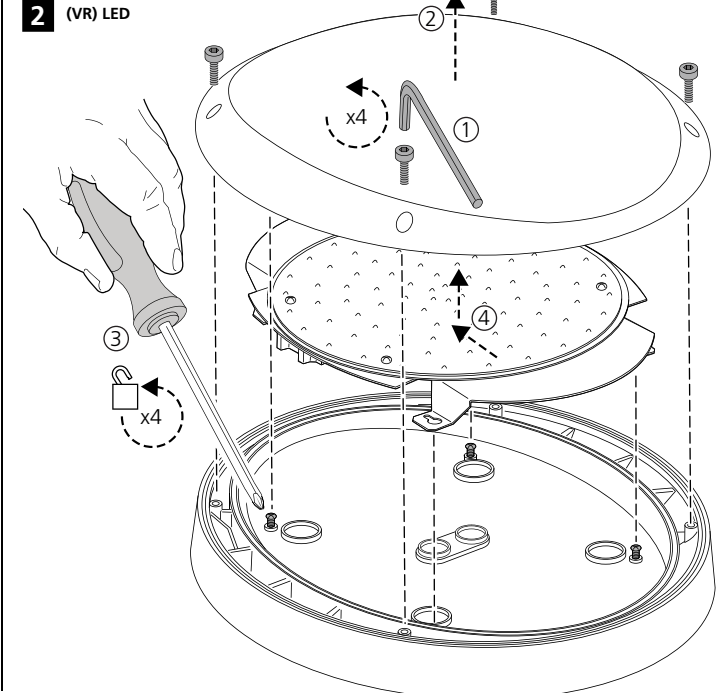
(A)	x2		IP65 M16 Cable Gland
(B)	x4		IP65 Ø8mm washer



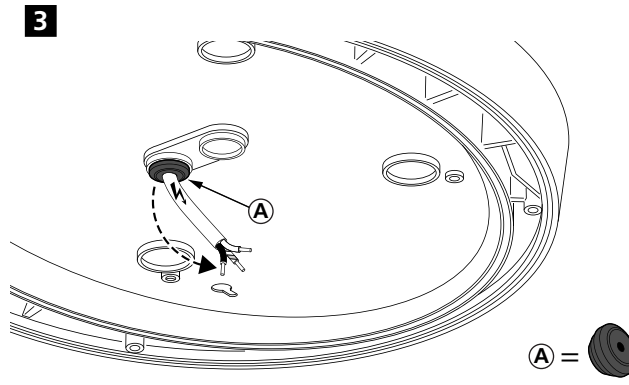
1 LED



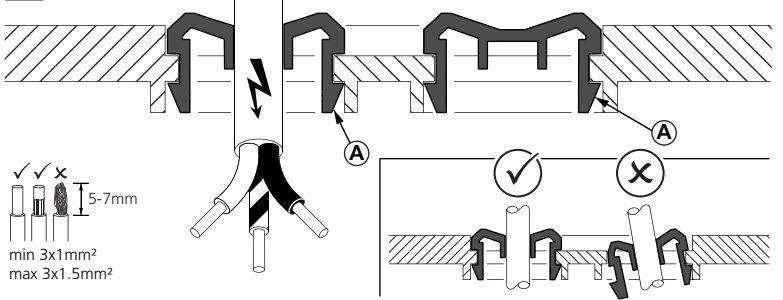
2 (VR) LED



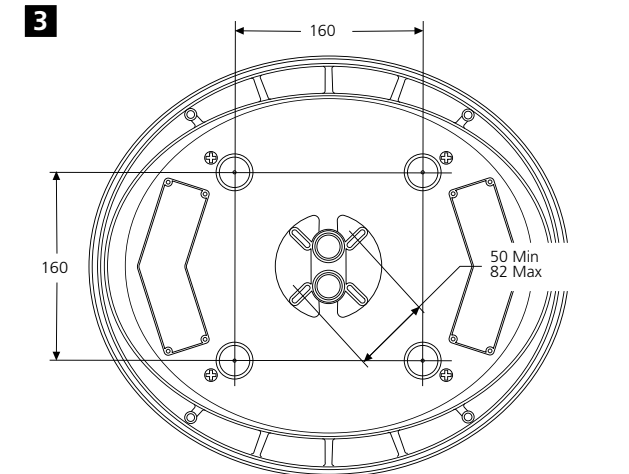
3



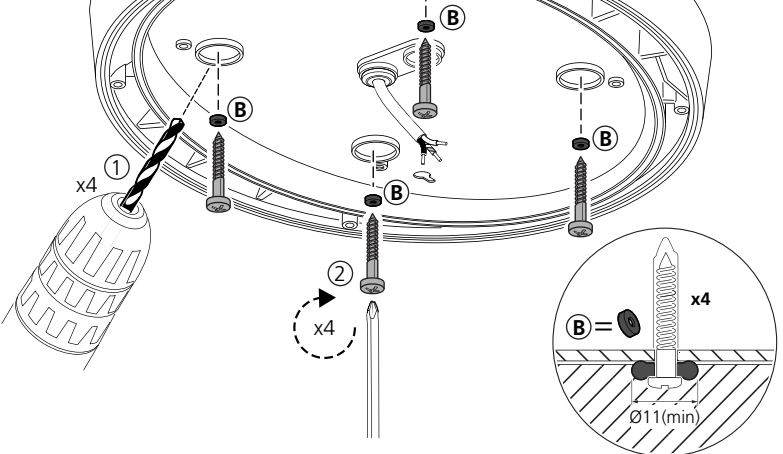
4 230-240V



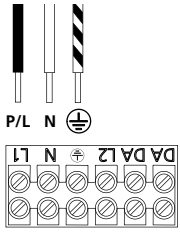
3



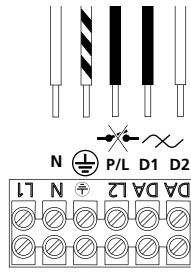
4 230-240V



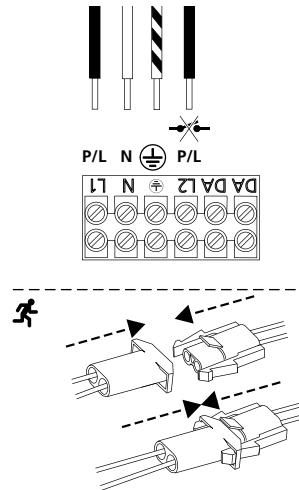
5 ⚡ 230-240V



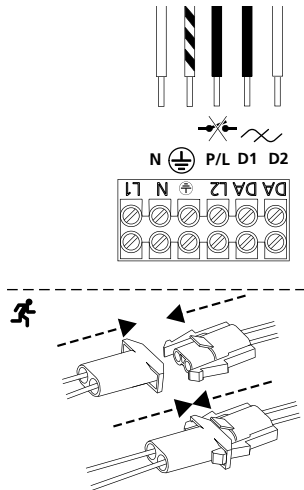
5 ⚡ 230-240V + DALI



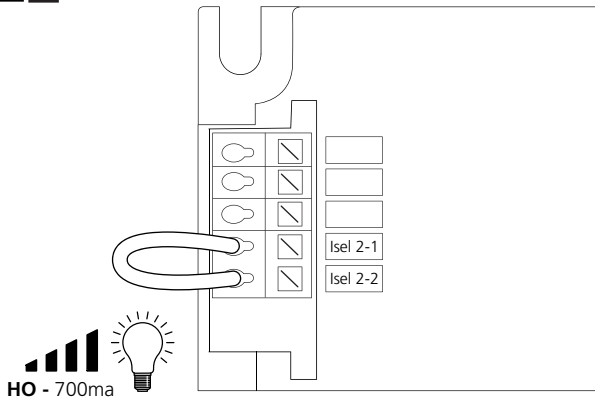
5 ⚡ 230-240V + ⚡



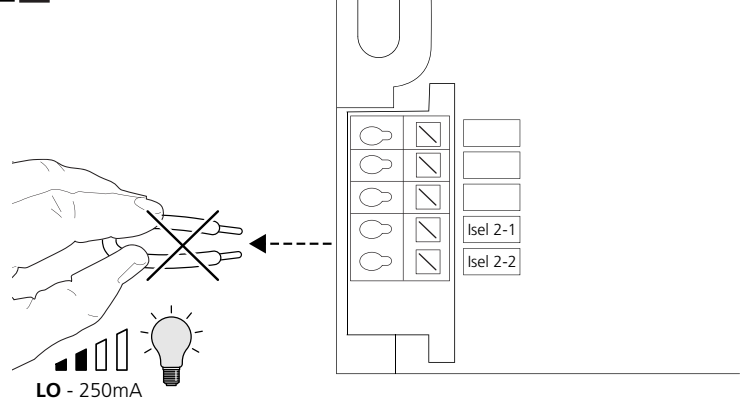
5 ⚡ 230-240V + ⚡ + DALI



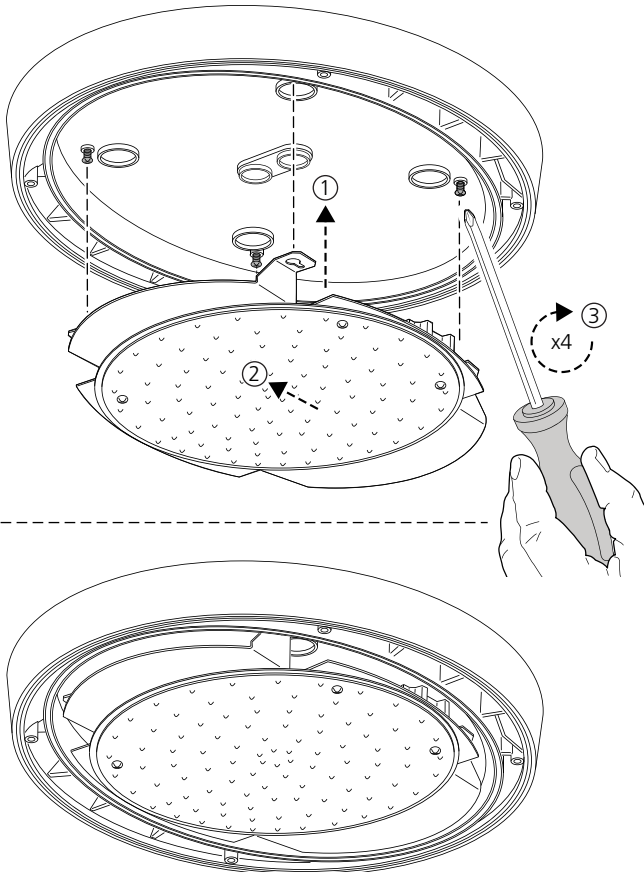
6a ? HO - 700ma



6b ? LO - 250mA



7



8

