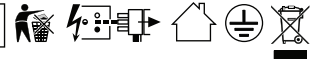
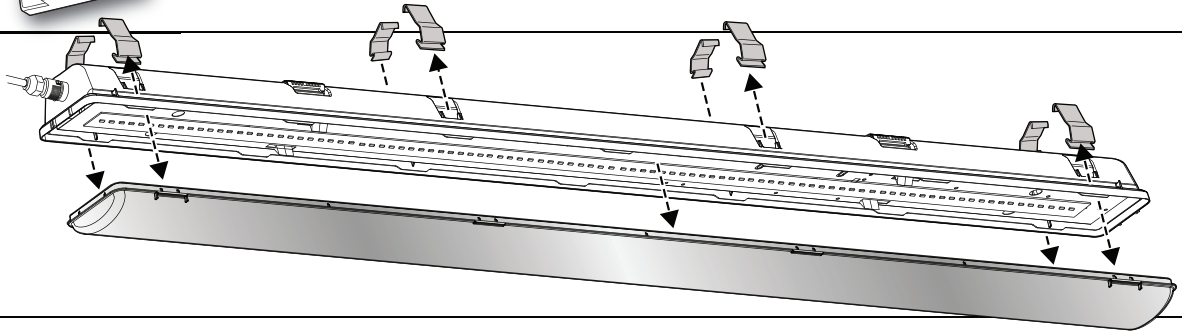




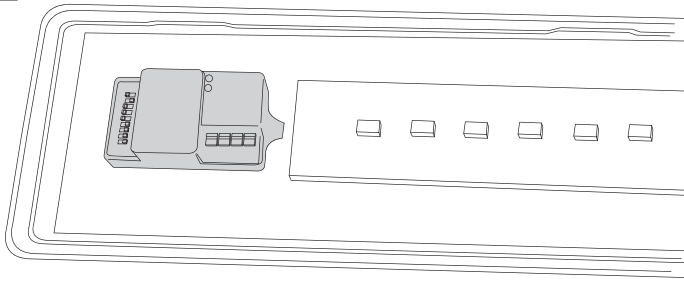
230-240V~ 50/60Hz



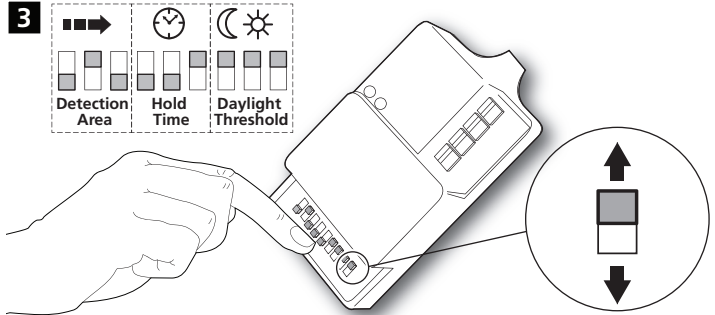
1



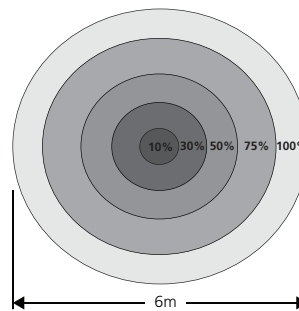
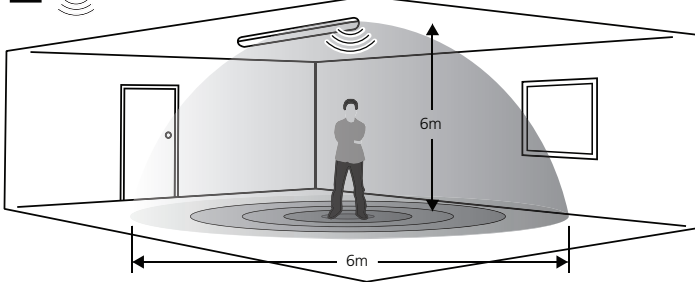
2 Microwave Sensor



3



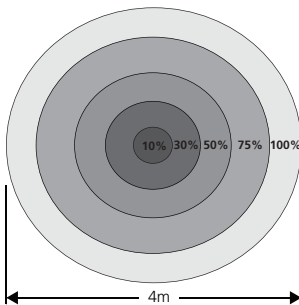
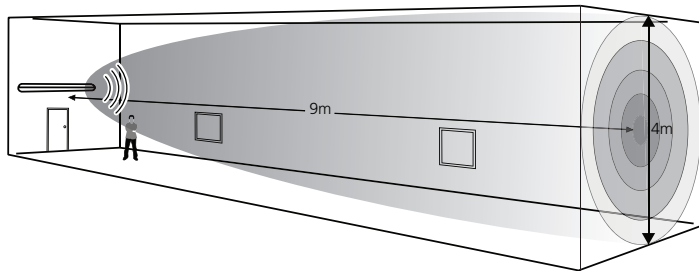
4 Ceiling Mounted



5 Detection Area

	1	2	3	
I	●	●	●	100%
II	○	●	●	75%
III	○	●	○	50%
IV	○	○	●	30%
V	○	○	○	10%

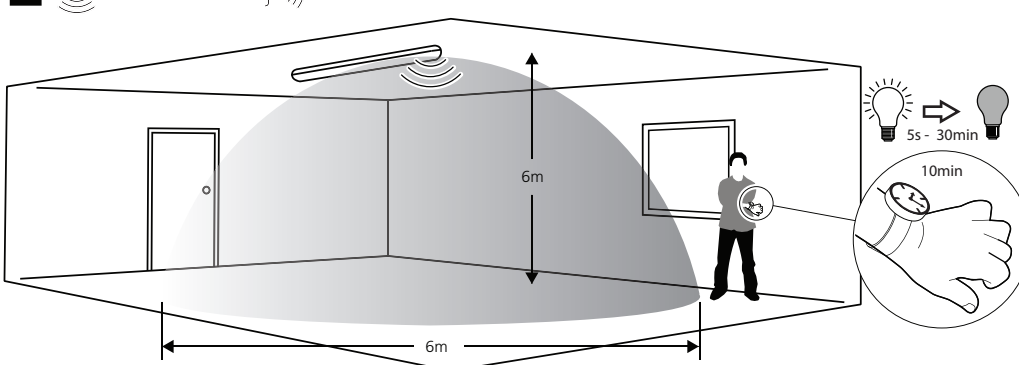
4 Wall Mounted



5 Detection Area

	1	2	3	
I	●	●	●	100%
II	○	●	●	75%
III	○	●	○	50%
IV	○	○	●	30%
V	○	○	○	10%

6 Ceiling Mounted + Wall Mounted



7 Hold Time

	1	2	3	
I	●	●	●	5s
II	●	○	●	30s
III	●	○	○	1min
IV	○	●	●	5min
V	○	●	○	10min
VI	○	○	●	20min
VII	○	○	○	30min