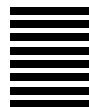
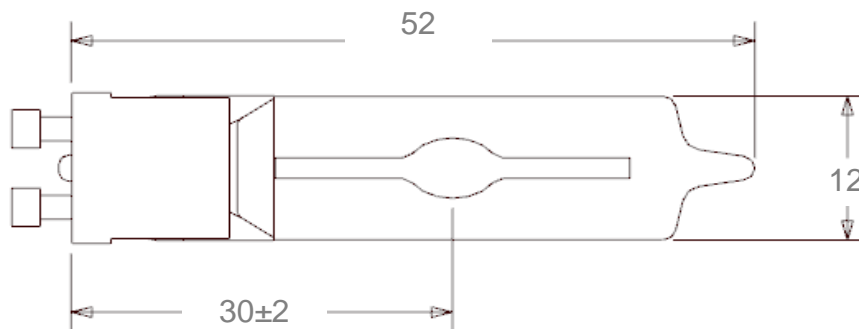


METAL HALIDE LAMP Superia CMI-Tmini 20W WDL/UVS GU6.5



DIMENSIONS (mm)



Mercury Content : 2.6 mg

Cap : GU6.5 (IEC 60061-1)

Bulb : UV STOP clear tubular hard glass

| | Magnetic Gear | | | Electronic Gear | | |
|---|---|------|------|----------------------------------|------|------|
| | NOM. | MIN. | MAX. | NOM. | MIN. | MAX. |
| <u>ELECTRICAL DATA:</u> | | | | | | |
| Lamp wattage (W _{r.m.s.}) | | | | 20 | | |
| Lamp voltage (V _{r.m.s.}) | - | | | 90 | 80 | 100 |
| Lamp current (A _{r.m.s.}) | - | | | 0.22 | | |
| Lamp warm-up current (A _{r.m.s.}) | | - | - | | 0.30 | 0.50 |
| Lamp inrush current (A _{peak}) | | | - | | | |
| <u>OPERATING CONDITIONS:</u> | | | | | | |
| Burning position | Operation on LFSW electronic ballast only | | | universal | | |
| Fixture type | - | | | closed | | |
| Ballast type | - | | | Electronic LFSW ballast for 20 W | | |
| Ignitor pulse height (kV _{peak}) | | | | | 3.0 | 5.0 |
| Ignitor pulse width at 90% peak(μs/s) | | - | | | 100 | |
| Pin temperature (°C) | | | - | | | 250 |
| Bulb temperature (°C) | | | - | | | 400 |
| Adjacent to cap temperature (°C) | | | - | | | 350 |
| <u>LAMP LIFE:</u> | | | | | | |
| Rated average life (h) | - | | | 18000 | | |
| Life to 10% failures (h) | - | | | 10000 | | |
| <u>PHOTOMETRIC DATA*:</u> | | | | | | |
| Initial luminous Flux (lm) | | | | 1900 | | |
| Luminous efficacy (lm/W) | | | | 95 | | |
| Correlated colour temp. (K) | | | | 3000 | | |
| Colour rendering index | | | | 85 | | |
| Colour point (x,y) | - | | | (.434, .398) | | |
| * Data for vertical burning position after 100 h ageing | | | | | | |

APPLICATION Lamps comply with the requirements of IEC publications 61167, 62035 and 62471. Electromagnetic ballasts must comply with IEC 60923 and electronic ballasts with IEC 61167, annex G. Ignitors used must be in accordance with IEC 60927 and luminaires with IEC 60598-1. Lamp inspection is performed in accordance with IEC 60410. The luminaire must be provided with a safety screen (shattering and UV). Because of a possible risk of abnormal operation at the end of life, thermally protected ballasts must be used.

Issued by : TIENEN
Date : 31.03.2010
Revision date : 05.06.2013

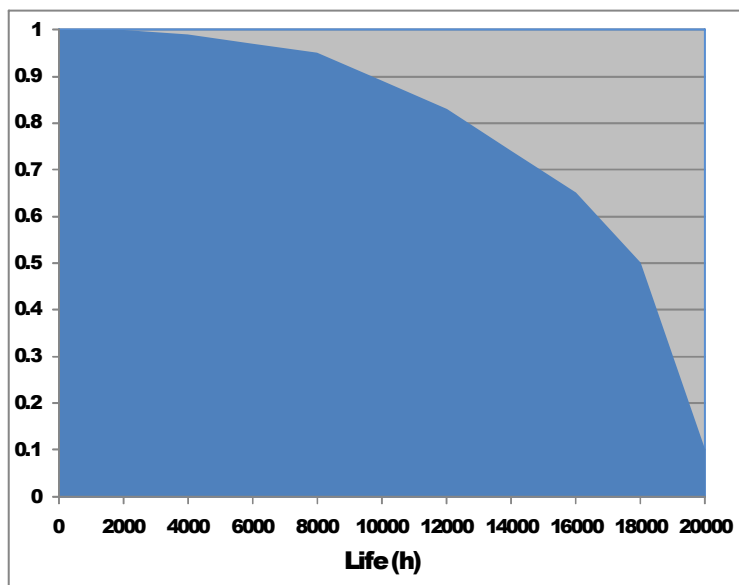
DATA SHEET

Specification N° : 43\70\21 /D
Supersedes : 43\70\21/C
Page 1 of 1

METAL HALIDE LAMP Superia CMI-Tmini 20W WDL/UVS GU6.5

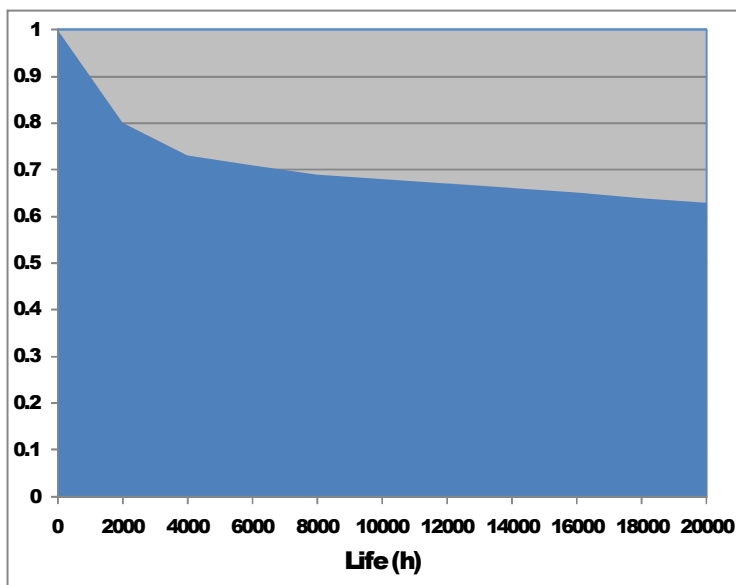


SURVIVAL RATE



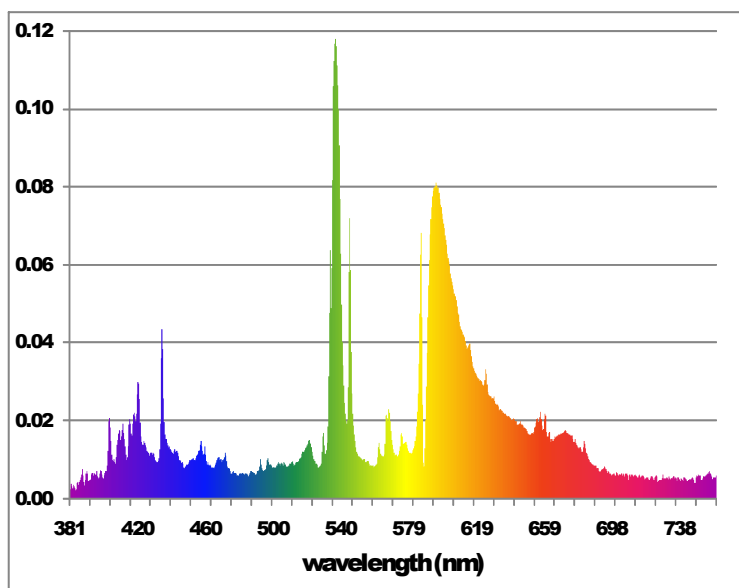
| 2000h | 4000h | 6000h | 8000h | 12000h | 16000h |
|-------|-------|-------|-------|--------|--------|
| 1.00 | 0.98 | 0.96 | 0.94 | 0.83 | 0.65 |

LUMEN MAINTENANCE

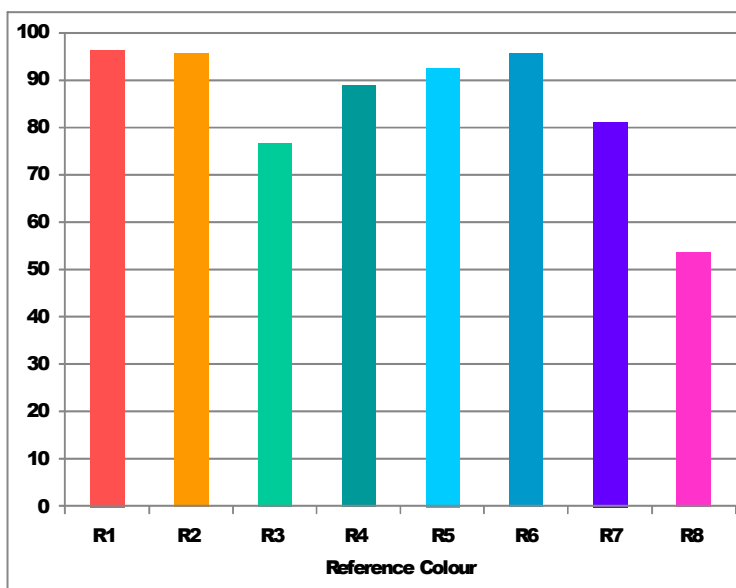


| 2000h | 4000h | 6000h | 8000h | 12000h | 16000h |
|-------|-------|-------|-------|--------|--------|
| 0.80 | 0.73 | 0.71 | 0.69 | 0.67 | 0.65 |

LAMP SPECTRUM



COLOUR RENDERING



Issued by : TIENEN
 Date : 31.03.2010
 Revision date : 05.06.2013

DATA SHEET

Specification N° : 43\70\21 /D
 Supersedes : 43\70\21/C
 Page 1 of 1