

SYLVANIA



High performance in a classic design

RefLED™ Retro PAR



The new RefLED™ Retro PAR range offers a combination of glass retro look, high lumen output and extremely long life. These new generation RefLED™ PAR lamps are the ideal replacement of traditional PAR lamps and suitable for both general lighting and accent lighting applications.

sylvania-lighting.com

RefLED™ Retro PAR



Features

- High performance LED PAR lamps with the same look and feel of traditional PAR lamps
- Glass construction - means no colours clashing between lamp and fixture
- Reduced visible heatsink from the front
- Up to 89% energy saving
- Mercury-free solution
- Lower maintenance cost
- RefLED™ Retro PAR range is available in dimmable version in PAR 20, PAR 30 and PAR 38 IP65 shapes
- RefLED™ PAR38 IP65 version is suitable for both indoor and outdoor application when used with correct luminaire
- RefLED™ PAR16 is available in non-dimmable version with standard housing
- Lifetime: up to 25,000 hours
- High lumen efficacy
- Dimmable on approved dimmers*
- 3 year warranty
- Suitable for general lighting and accent lighting for hotels, restaurants, bars, lobbies, corridors and halls

Product information

Code	Description	Voltage (V)	Power (W)	Luminous Flux (lm)	Efficiency (lm/W)	Beam Angle (°)	Luminous Intensity (cd)	Colour Temp (K)	CRI	Base	Life (hours)	Equivalent Wattage (W)	Dimmable (Y/N)	Energy Class	IP Rating	Packaging
RefLED™ Retro PAR																
0028269	RefLED Retro PAR20 DIM 540LM 830 36°	220-240	8.0	540	68	36	1200	3000	80	E27	25,000	70	Y	A+	IP20	6
0028270	RefLED Retro PAR30 DIM 820LM 830 36°	220-240	11.0	820	75	36	1900	3000	80	E27	25,000	95	Y	A+	IP20	6
0028271	RefLED Retro PAR38 DIM 1200LM 830 IP65 40°	220-240	15.0	1200	80	40	2400	3000	80	E27	25,000	140	Y	A+	IP65	6
RefLED™ PAR16 V2																
0026590	RefLED PAR16 V2 345lm 830 36°	220-240	5.0	345	69	36	580	3000	80	E14	15,000	50	N	A+	IP20	6

Additional Images



RefLED™ Retro PAR16



RefLED™ Retro PAR20

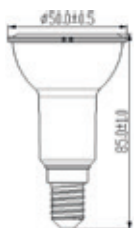


RefLED™ Retro PAR30

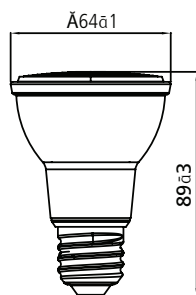


RefLED™ Retro PAR38

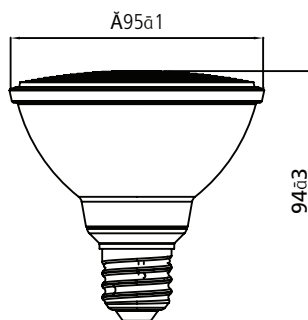
Dimensions (mm)



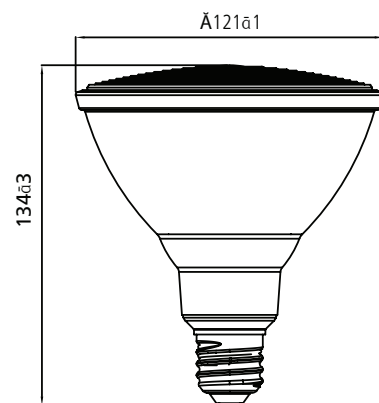
RefLED™ Retro PAR16



RefLED™ Retro PAR20



RefLED™ Retro PAR30



RefLED™ Retro PAR38



sylvania-lighting.com

A Feilo Sylvania Company

Although every effort has been made to ensure accuracy in the compilation of the technical detail within this publication, specifications and performance data are constantly changing. Current details should therefore be checked with Feilo Sylvania Europe Limited. Copyright Feilo Sylvania Europe Limited March 2019

T: F:
Email: