



Less maintenance, more performance

START Downlight IP44



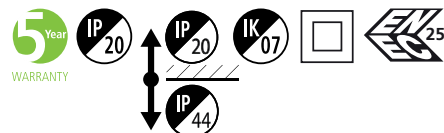
The START Downlight IP44 range is designed as an ideal replacement for CFL luminaires ranging from 90mm to 225mm cut-outs. With an IP44 rating from the front of the fixture, the range is perfect for applications such as corridors, bathrooms, receptions and back of house areas.

The START Downlight delivers impressive performance with efficacy up to 113lm/W (90mm, 4000K version) and high lumen output of up to 2325lm (225mm, 4000K

version). With a 74,000 hour lifespan (L80B20) and 5 year warranty the START Downlight IP44 comes with the benefit of less maintenance. Additionally, the inclusion of a loop in - loop out facility and recess depth of less than 65mm provides a simple yet effective solution.

The START Downlight is available in recessed and surface mounted versions to meet all installation requirements.

START Downlight IP44



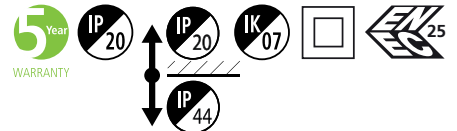
Features

- A range of LED downlights perfect for corridors, bathrooms, receptions and back of house areas
- High efficacy of up to 113lm/W
- High lumen packages of up to 2325lm for 225mm cut-outs
- IP44 rating allows for installation in applicable wet zone areas (Surface Mounted version IP20)
- Push dim DALI, 1-10V and phase dim options available
- Incorporated with innovative SylSmart lighting control technology - SylSmart Standalone - fully wireless, easy to install and program solution for meeting rooms, small offices and classrooms
- Shallow recess depth of < 65mm
- Surface Mounted height of 94mm
- 3 hour emergency pack available
- CRI80 and CRI90 options
- Loop in - loop out facility with push fit terminal block for quick wiring
- White bezel (RAL9003)
- 3000K Warm White and 4000K Neutral White options
- MacAdam Ellipse: 3
- Voltage: 220-240V
- Housing colour/bezel: White - RAL9003
- Construction material: Aluminium
- Photobiological Risk Group: 0
- Lifespan 74,000Hrs (L80B20)

Product information

Code	Description	Finish	Fixture Power (W)	Fixture lumen (lm)	Luminaire efficacy lm/W	Nominal Beam Angle (°)	Correlated Colour Temperature (K)	CRI	Dimmable	Control Technology Type
Electronic										
3000K										
0030379	START Downlight 90 IP44 830Lm 830 DIM	White	8.3	830	98	74	3000	80	Yes	Phase dim
0030324	START Downlight 150 IP44 1100Lm 830	White	12	1100	92	74	3000	80	No	Switched
0030326	START Downlight 175 IP44 1425Lm 830	White	15	1425	95	74	3000	80	No	Switched
0030328	START Downlight 205 IP44 1950Lm 830	White	21	1950	93	74	3000	80	No	Switched
0030330	START Downlight 225 IP44 2275Lm 830	White	24	2275	95	74	3000	80	No	Switched
4000K										
0030380	START Downlight 90 IP44 880Lm 840 DIM	White	8.3	880	104	74	4000	80	Yes	Phase dim
0030325	START Downlight 150 IP44 1175Lm 840	White	12	1175	98	74	4000	80	No	Switched
0030327	START Downlight 175 IP44 1525Lm 840	White	15	1525	102	74	4000	80	No	Switched
0030329	START Downlight 205 IP44 2025Lm 840	White	21	2025	96	74	4000	80	No	Switched
0030331	START Downlight 225 IP44 2325Lm 840	White	24	2325	97	74	4000	80	No	Switched
0030433	START Downlight 150 IP44 1075Lm 940	White	13	1075	83	80	4000	90	No	Switched
0030435	START Downlight 205 IP44 1750Lm 940	White	20	1750	88	80	4000	90	No	Switched
DALI Dimmable										
3000K										
0030332	START Downlight 150 IP44 DALI 1150Lm 830	White	12	1150	96	74	3000	80	Yes	DALI
0030334	START Downlight 175 IP44 DALI 1400Lm 830	White	15	1400	93	74	3000	80	Yes	DALI
0030336	START Downlight 205 IP44 DALI 1950Lm 830	White	20	1950	98	74	3000	80	Yes	DALI
0030338	START Downlight 225 IP44 DALI 2325Lm 830	White	23	2325	101	74	3000	80	Yes	DALI
4000K										
0030333	START Downlight 150 IP44 DALI 1160Lm 840	White	12	1160	97	74	4000	80	Yes	DALI
0030335	START Downlight 175 IP44 DALI 1475Lm 840	White	15	1475	98	74	4000	80	Yes	DALI
0030337	START Downlight 205 IP44 DALI 2000Lm 840	White	20	2000	100	74	4000	80	Yes	DALI
0030339	START Downlight 225 IP44 DALI 2350Lm 840	White	23	2350	102	74	4000	80	Yes	DALI
1-10V Dimmable										
3000K										
0030340	START Downlight 150 IP44 1-10V 1150Lm 830	White	12	1150	96	74	3000	80	Yes	1-10V
0030342	START Downlight 175 IP44 1-10V 1400Lm 830	White	15	1400	100	74	3000	80	Yes	1-10V
0030344	START Downlight 205 IP44 1-10V 1950Lm 830	White	20	1950	98	74	3000	80	Yes	1-10V
0030346	START Downlight 225 IP44 1-10V 2325Lm 830	White	23	2325	101	74	3000	80	Yes	1-10V
4000K										
0030341	START Downlight 150 IP44 1-10V 1175Lm 840	White	12	1175	98	74	4000	80	Yes	1-10V
0030343	START Downlight 175 IP44 1-10V 1425Lm 840	White	15	1425	95	74	4000	80	Yes	1-10V
0030345	START Downlight 205 IP44 1-10V 1975Lm 840	White	20	1975	99	74	4000	80	Yes	1-10V
0030347	START Downlight 225 IP44 1-10V 2350Lm 840	White	23	2350	102	74	4000	80	Yes	1-10V
Surface Mounted IP20										
3000K										
0030444	START Downlight IP20 165 1100Lm 830 Surface	White	12	1100	92	74	3000	80	No	Switched
0030446	START Downlight IP20 220 1950Lm 830 Surface	White	21	1950	93	74	3000	80	No	Switched

START Downlight IP44

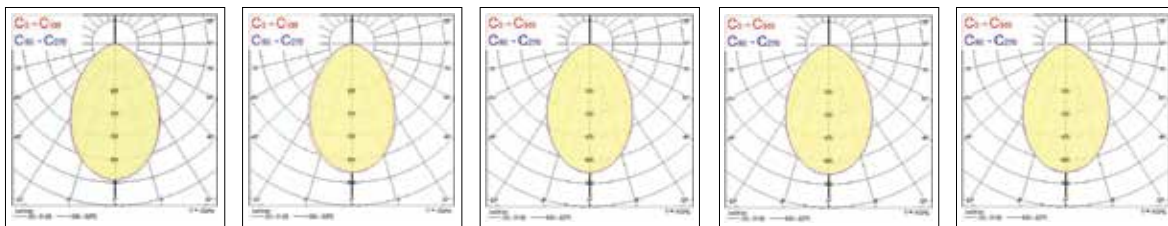


Code	Description	Finish	Fixture Power (W)	Fixture lumen (lm)	Luminaire efficacy lm/W	Nominal Beam Angle (°)	Correlated Colour Temperature (K)	CRI	Dimmable	Control Technology Type
4000K										
0030445	START Downlight IP20 165 1175lm 840 Surface	White	12	1175	98	74	4000	80	No	Switched
0030447	START Downlight IP20 220 2025lm 840 Surface	White	21	2025	96	74	4000	80	No	Switched
Sylsmart										
3000K										
0030375	START Downlight 205 IP44 SSC01 1950LM 830	White	21	1950	93	74	3000	80	Yes	Sylsmart
4000K										
0030376	START Downlight 205 IP44 SSC01 2025LM 840	White	21	2025	96	74	4000	80	Yes	Sylsmart

Accessories

Code	Description
0046600	Emergency Pack Manual Testing 6V-55V
0046601	Emergency Pack Self Test/DALI monitoring 6V-55V
3007950	Recess Box Large (545x300x150)
3007940	Recess Box Small (300x300x150)

Photometric Data



START Downlight 90 IP44 830lm 830 DIM

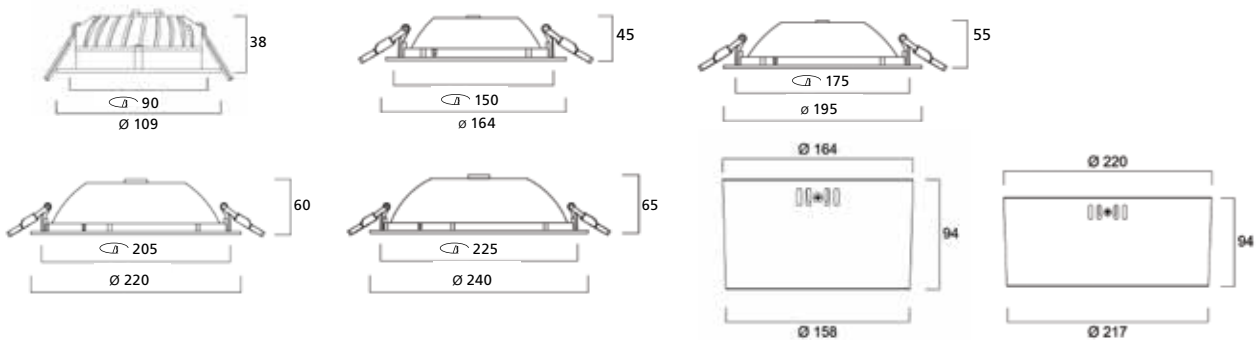
START Downlight 150 IP44 1100lm 830

START Downlight 175 IP44 1425lm 830

START Downlight 205 IP44 1950lm 830

START Downlight 225 IP44 2275lm 830

Dimensions (mm)



Additional Images



START Downlight 90 IP44 DIM Front

START Downlight IP44 Front & Side

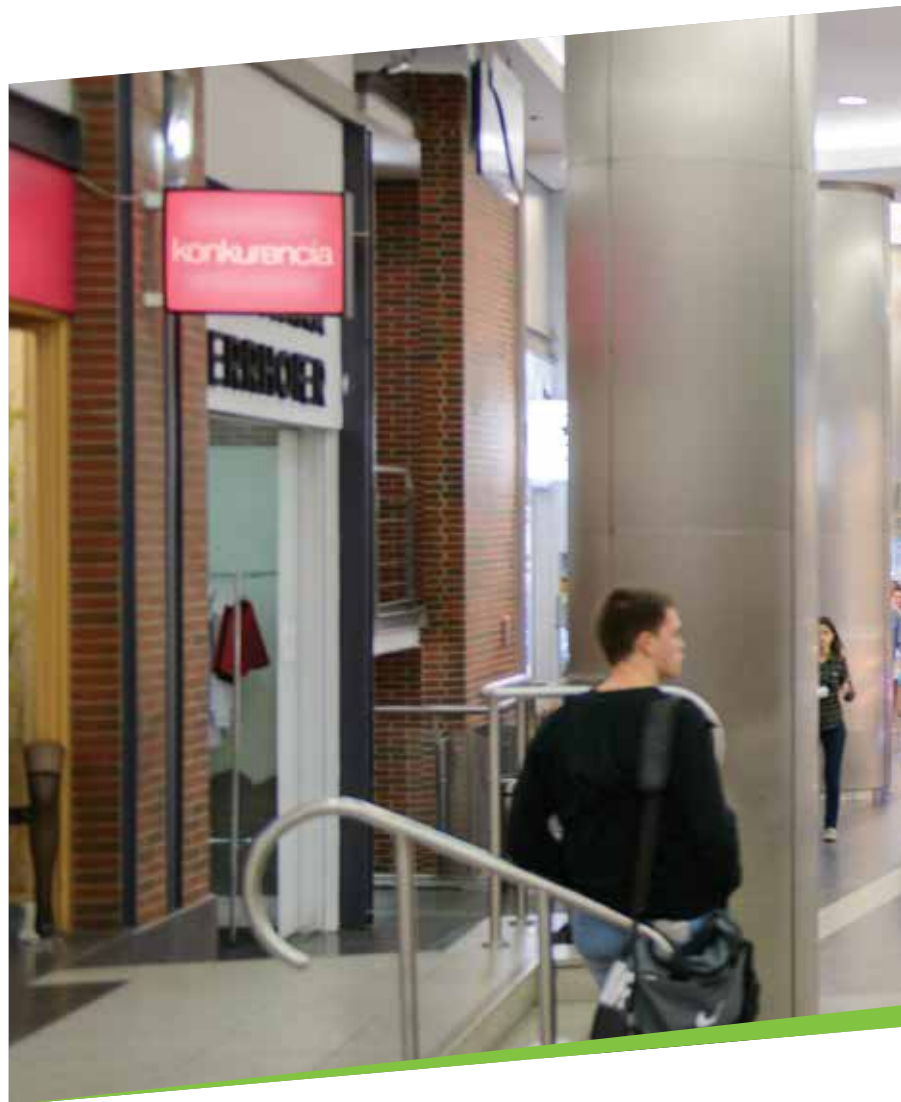
START Downlight IP44 Front

START Downlight IP44

START Downlight 165 Surface

START Downlight 220 Surface

SYLVANIA



CE UK
CA



Although every effort has been made to ensure accuracy in the compilation of the technical detail within this publication, specifications and performance data are constantly changing. Current details should therefore be checked with Feilo Sylvania International Group Kft.

Copyright Feilo Sylvania International Group Kft. October 2021

sylvania-lighting.com

A Feilo Sylvania Company