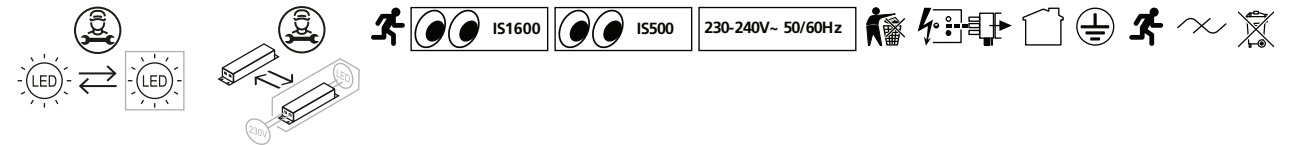
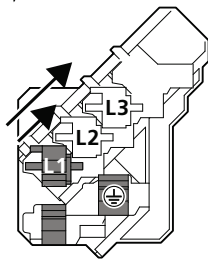


0042288-0042293

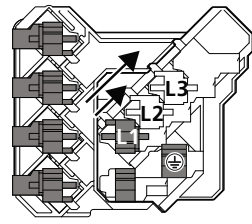


12



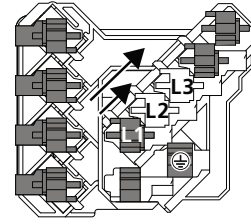
12

⚡ + ⚡ + ~ DALI

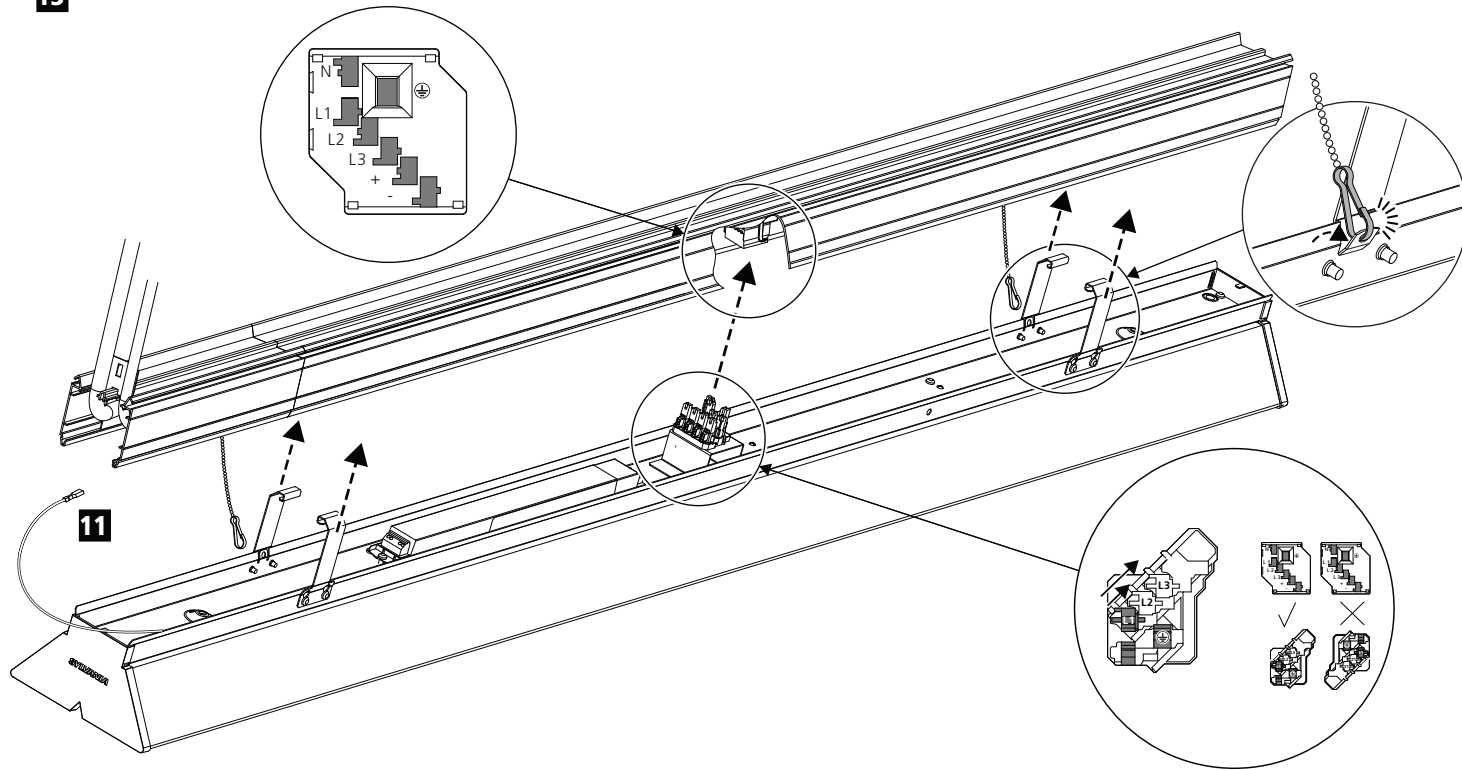


12

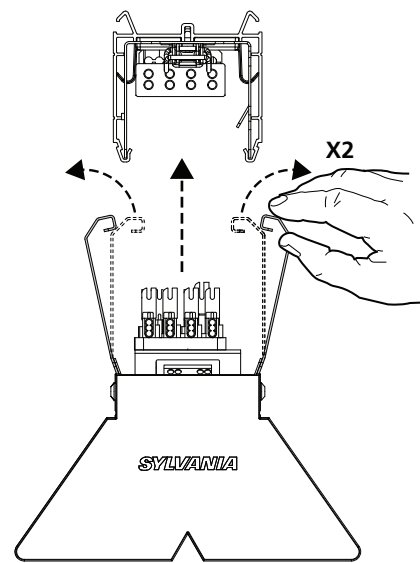
⚡ + ⚡ EMPRO + ~ DALI PRO



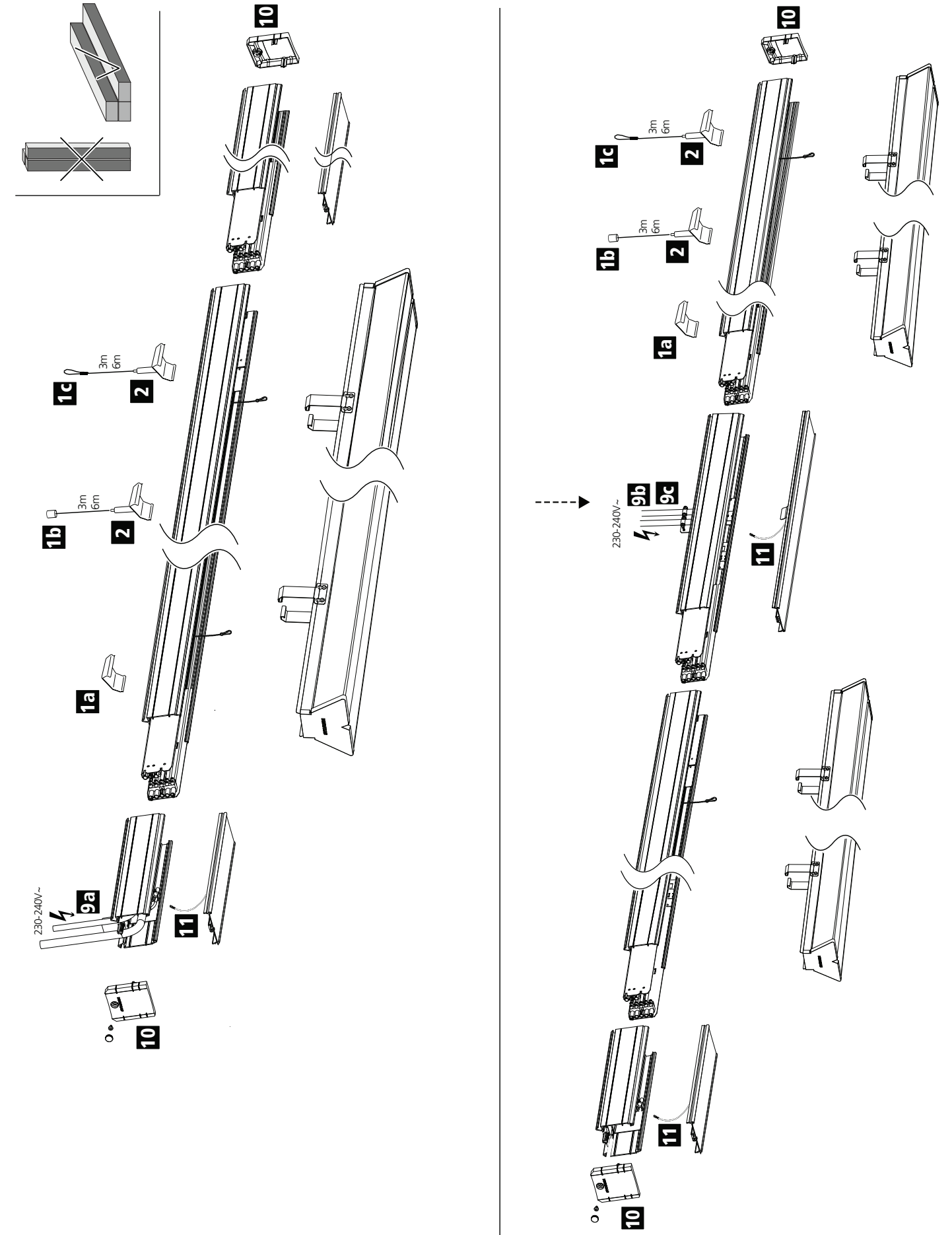
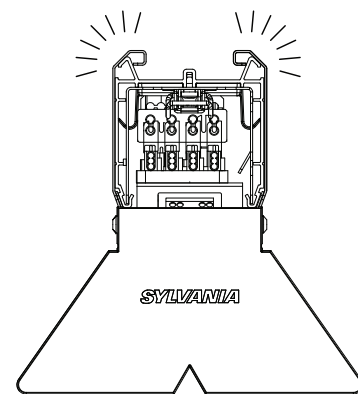
13

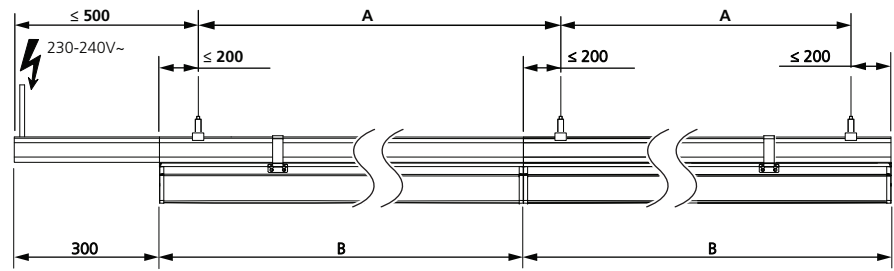


14

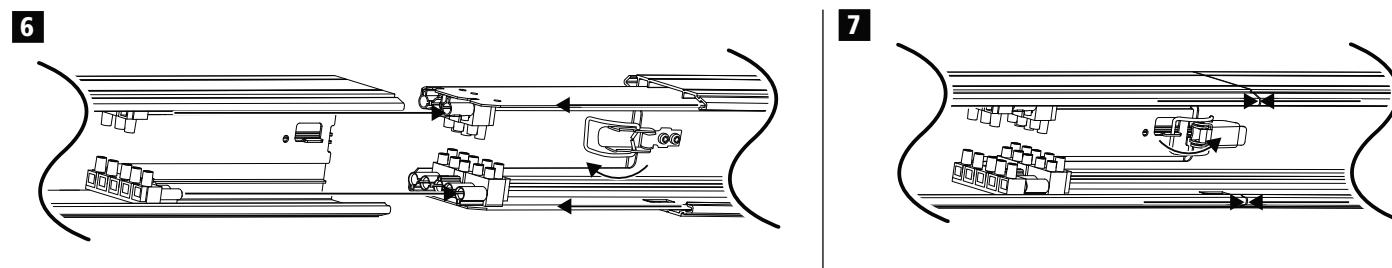
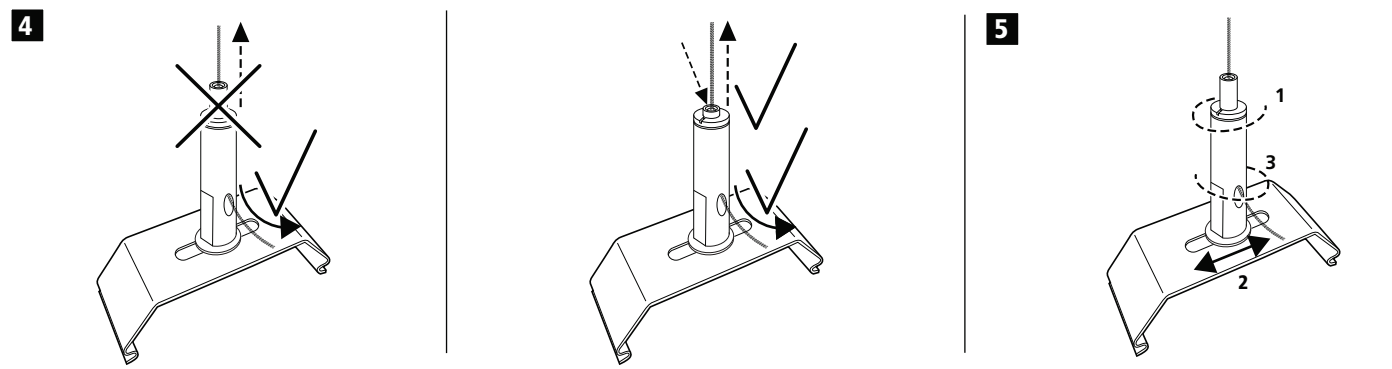
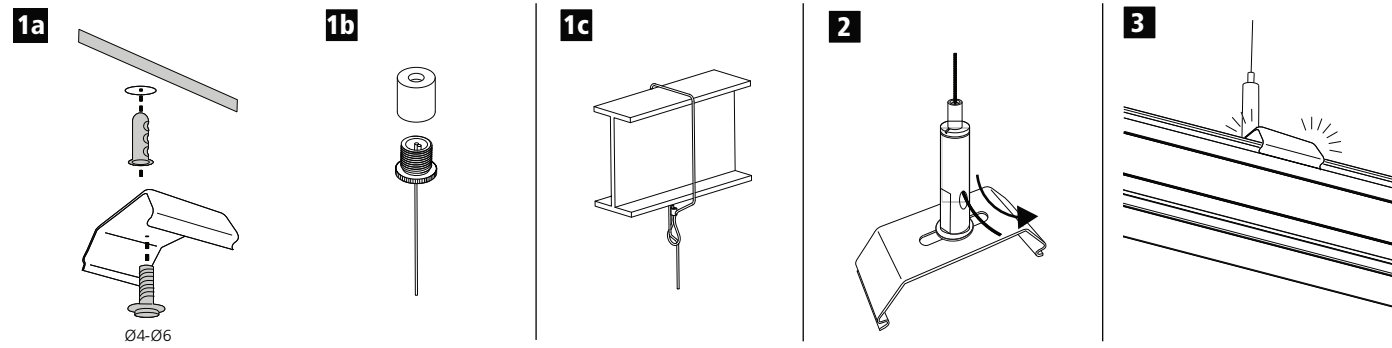
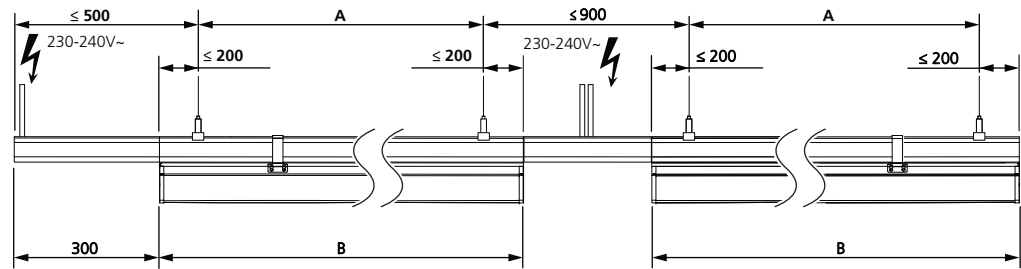


15

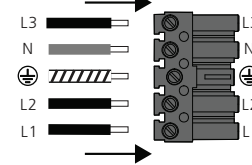




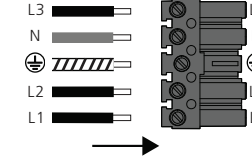
	A	B	MCB 16A Type B
	≤ 1720	1720	x 12
	≤ 3440	3440	x 6



8 ⚡ 230-240V~
max 5 x 2.5mm²

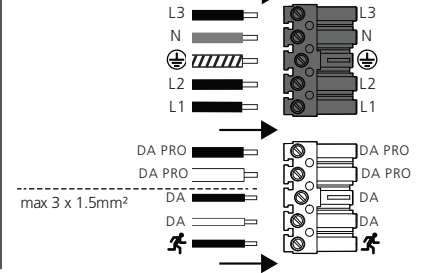


8 ⚡ + ⚡ + ~ DALI
max 5 x 2.5mm²



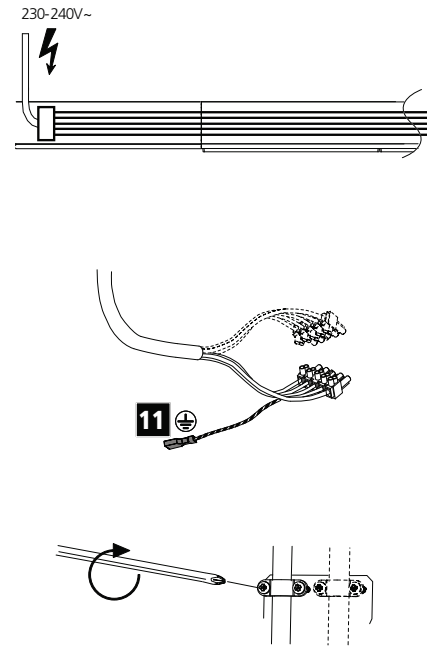
max 3 x 1.5mm²

8 ⚡ + ⚡ EMPRO + ~ DALI PRO
max 5 x 2.5mm²

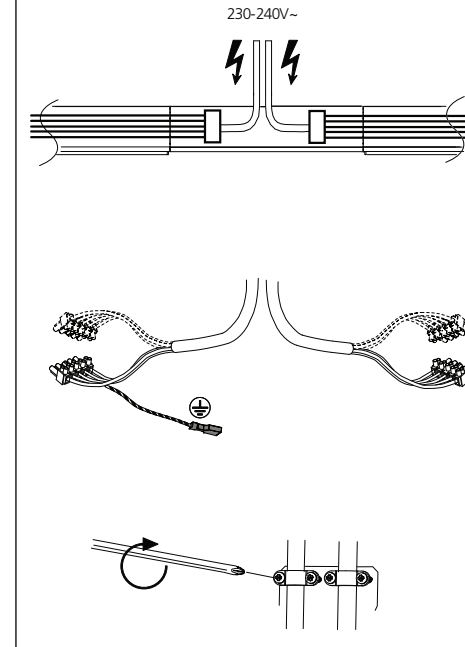


max 3 x 1.5mm²

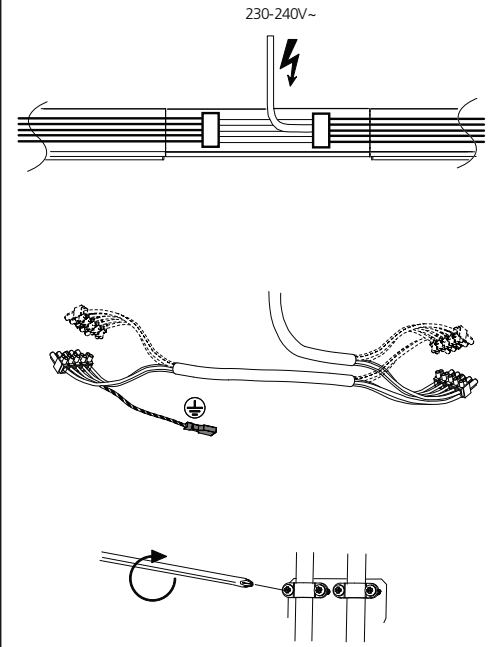
9a



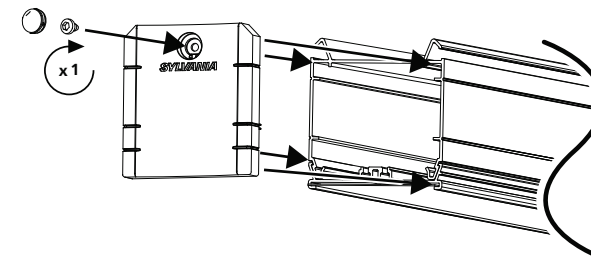
9b



9c



10 x2



11

