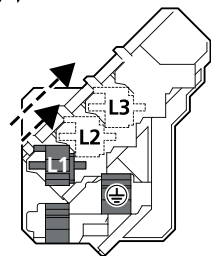
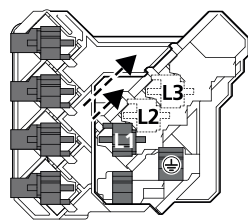


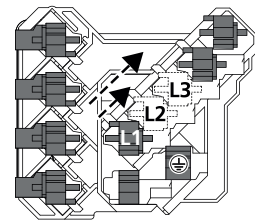
12 ⚡



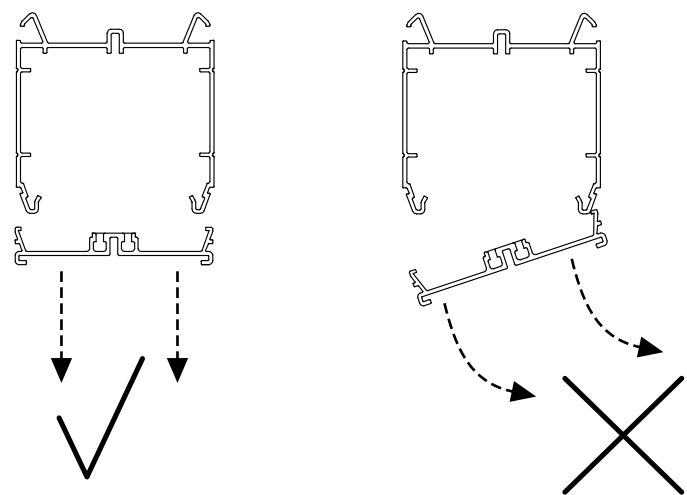
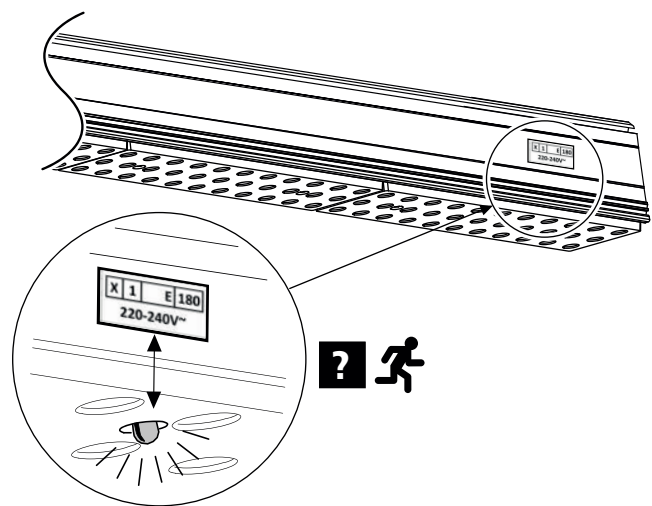
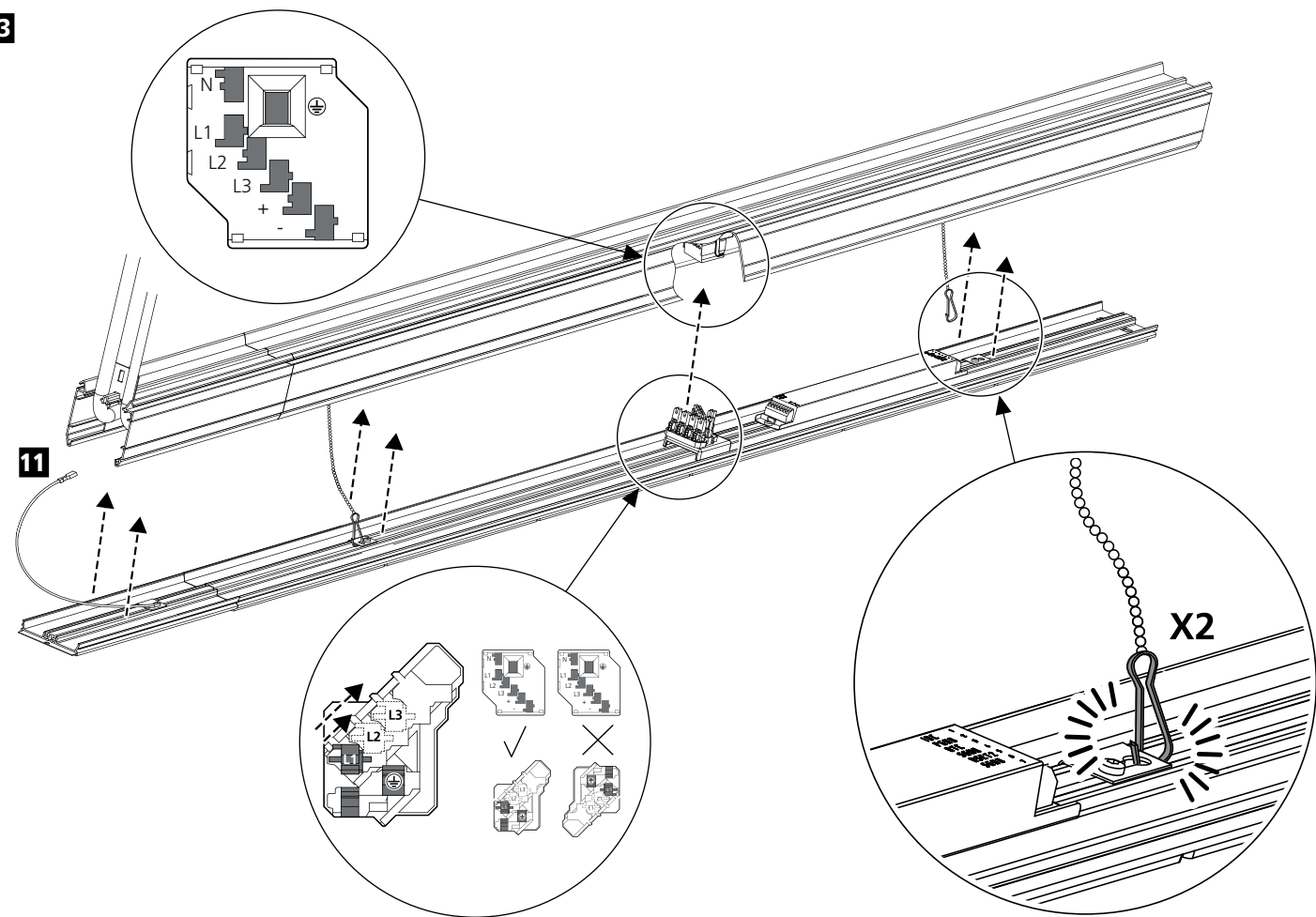
12 ⚡ + ⚡ + ~ DALI



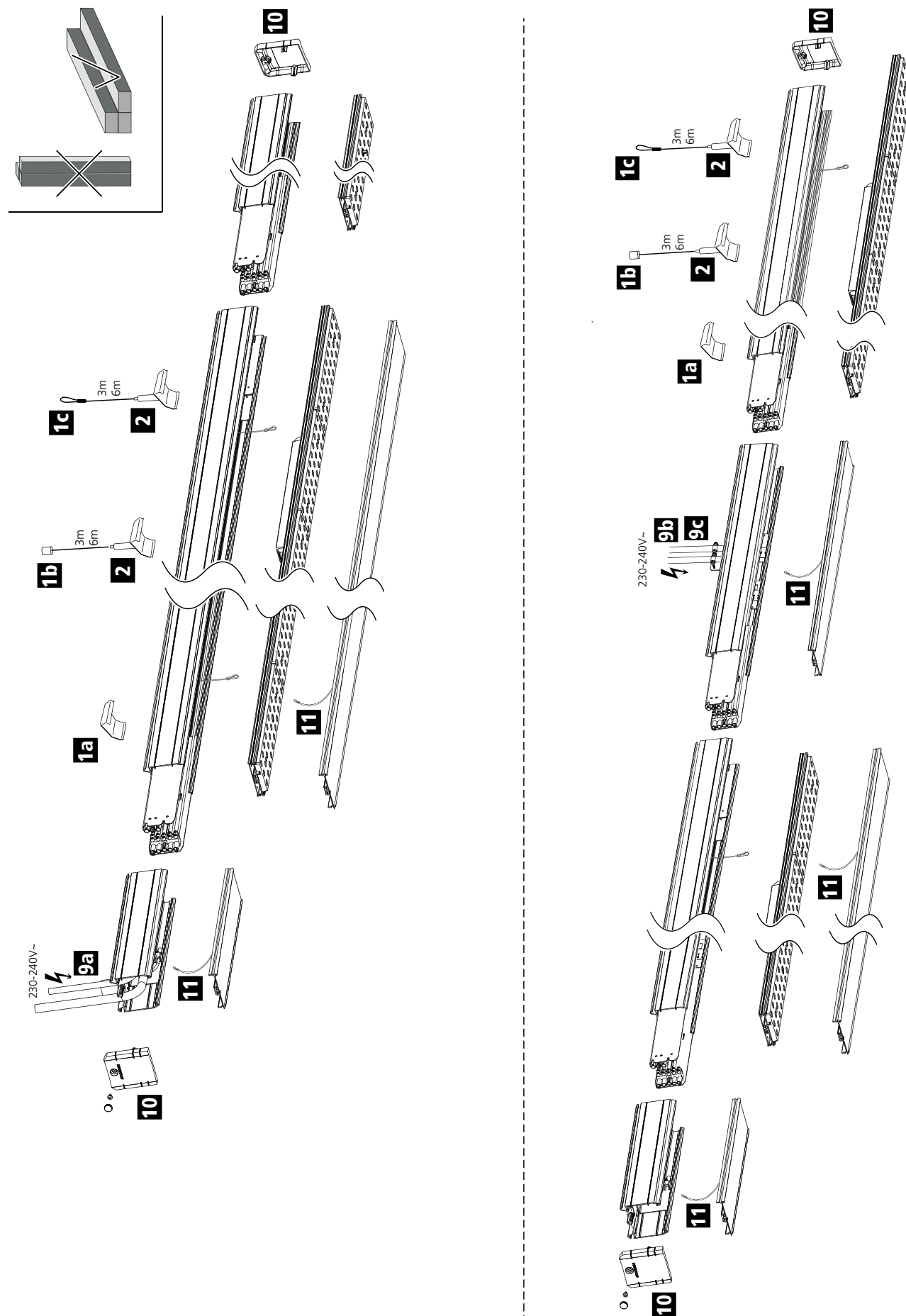
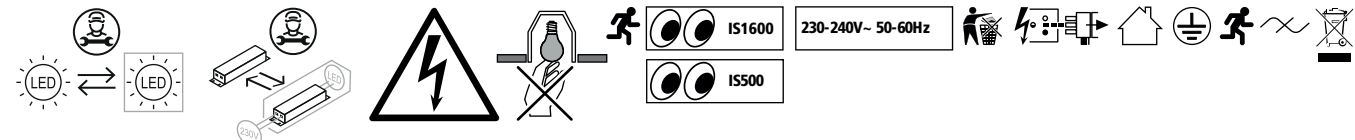
12 ⚡ + ⚡ EMPRO + ~ DALI PRO



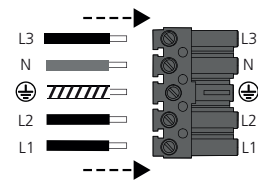
13



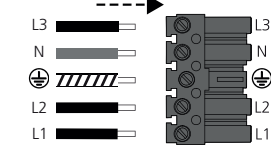
Syl Line



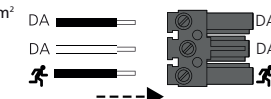
8 ⚡ 230-240V~
max 5 x 2.5mm²



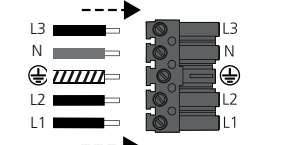
8 ⚡ + ⚡ + ⚡ DALI
max 5 x 2.5mm²



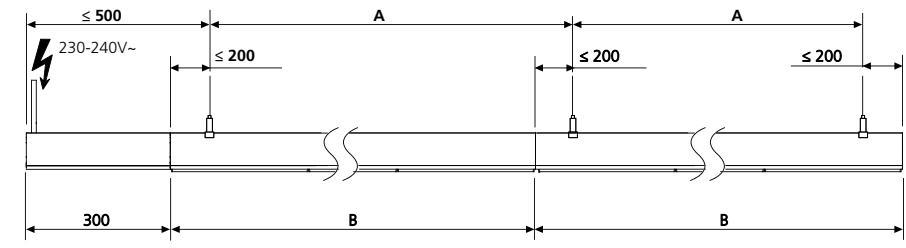
max 3 x 1.5mm²



8 ⚡ + ⚡ EMPRO + ⚡ DALI PRO
max 5 x 2.5mm²



max 3 x 1.5mm²



	A	B	MCB 16A Type B
	≤ 1720	1720	x 12
	≤ 3440	3440	x 6

