

SYLVANIA



Lighting your way to safety

START Emergency

The Start Emergency Range from Sylvania are LIAQA approved products. The range includes all luminaires designed for all emergency applications. Maintained and non-maintained luminaires providing 3 hour duration and manual test in accordance with EN 60598-2-22.



sylvania-lighting.com

START Emergency Exit



Features

- A range of luminaires for emergency lighting
- Double sided emergency exit signage (can be used as one sided if preferred)
- Products include 7 ISO7010 Legends supplied. Left, Right, 2 x Up, 2 x Down and Blank
- Surface mounted or surface mounted suspended options available
- Surface mounted version can be used for wall or ceiling mounting with a 90 degree rotation
- Manual test version (including a test button)
- Maintained operation
- 3 hour emergency as standard
- Viewing Distance up to 30m
- Battery: 900mAh 3.6V Ni-Cd
- Efficient thermal design: ta 0 to +35°C
- Complies to EN60598-2-22
- Energy class: A++, A+, A
- Lifetime: 30,000 hours
- LIAQA Approved Scheme supplier

Product information

Code	Description	Colour Temperature (K)	Mounting	System Power Consumption (W)	Lumen Output (lm)	Efficacy (lm/W)	Duration	Mode Of Operation	Testing
START Emergency									
Exit									
0032000	START Emergency Exit Surface Manual Test Maintained 3h	6500	Surface	2	24	12	3 hour	Maintained	Manual
0032001	START Emergency Exit Surface Suspended Manual Test Maintained 3h	6500	Surface Suspended	2	24	12	3 hour	Maintained	Manual

Additional Images

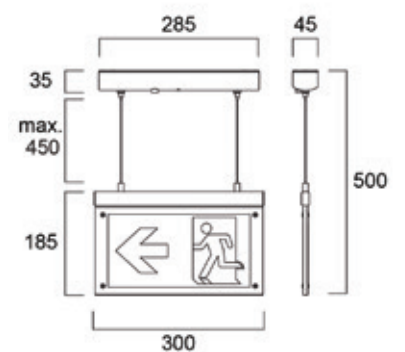
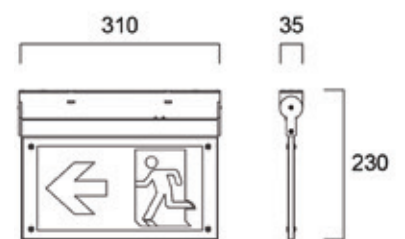


Start Emergency Exit Surface



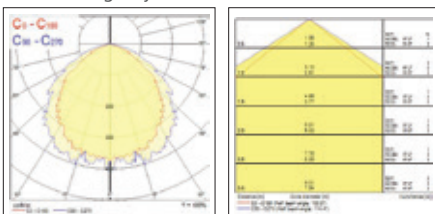
Start Emergency Exit Surface Suspended

Dimensions (mm)

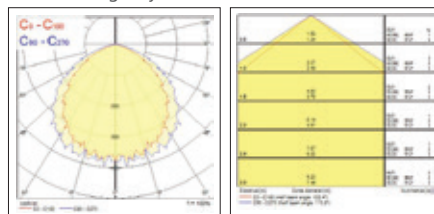


Photometric Data

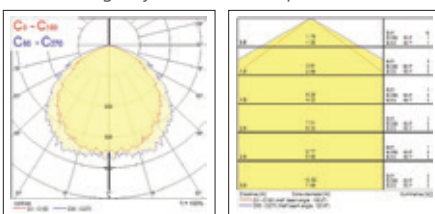
START Emergency Exit Surface Manual AC



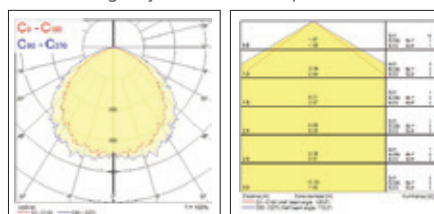
START Emergency Exit Surface Manual DC



START Emergency Exit Surface Suspended AC



START Emergency Exit Surface Suspended DC



START Emergency Spot



Features

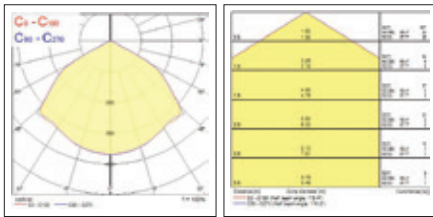
- A range of luminaires for Emergency Lighting applications
- Efficient LED technology
- Recessed luminaires open area and corridor applications
- Manual Test
- Maintained 3 hour Emergency
- Lifetime 30,000hours L70 B50
- Complied to EN 60598-2-22
- RAL9003 Signal White bezel
- Ni-Cd Battery
- Energy Class A++, A+, A
- Polycarbonate Housing
- 35mm cut out

Product information

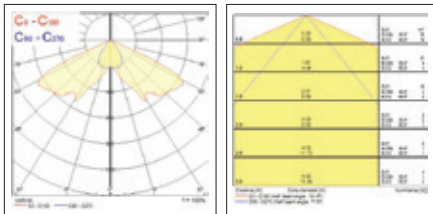
Code	Description	Colour Temperature (K)	Mounting	System Power Consumption (W)	Lumen Output (lm)	Efficacy (lm/W)	Duration	Mode Of Operation	Testing
START Emergency									
Spot									
0032002	START Emergency Spot Manual Test Non Maintained 3h Open Area	6500	Recessed	1.3	170	131	3 hour	Non Maintained	Manual
0032003	START Emergency Spot Manual Test Non Maintained 3h Corridor	6500	Recessed	1.3	170	131	3 hour	Non Maintained	Manual

Photometric Data

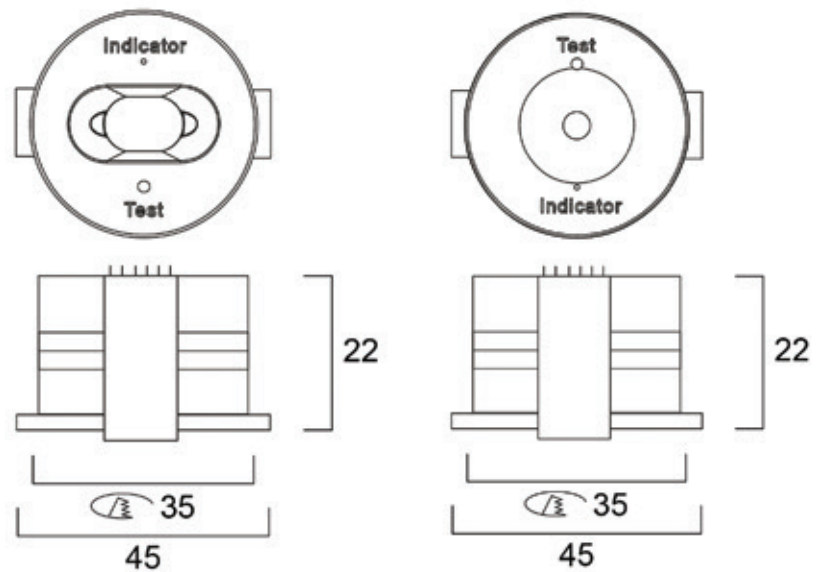
START Emergency Spot Open Area



START Emergency Spot Corridor



Dimensions (mm)



START Emergency Open area

START Emergency Corridor

START Emergency Bulkhead IP65



Features

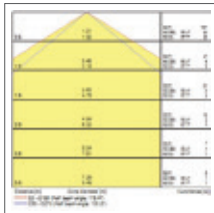
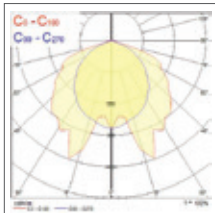
- A range of luminaires for emergency lighting
- Suitable for interior or exterior use
- Emergency lighting Bulkhead with IP65 rating (IP rated cable gland included)
- Manual test version
- Maintained or Non-maintained operation possible (depending on wiring)
- 3 hour emergency as standard
- Battery: 1800mAh 3.6V
- Efficient thermal design: ta 0 to +35°C
- Complies to EN60598-2-22
- Energy class: A++, A+, A
- Lifetime: 30,000 hours

Product information

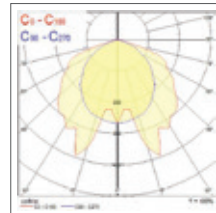
Code	Description	Colour Temperature (K)	Mounting	System Power Consumption (W)	Lumen Output (lm)	Efficacy (lm/W)	Duration	Mode Of Operation	Testing
START Emergency									
Exit									
0032004	START Emergency Bulkhead Manual Test Maintained/Non Maintained 3h 170lm	6500	Surface	3.5	170	49	3 hour	Maintained/Non Maintained	Manual

Photometric Data

START Emergency Bulkhead



START Emergency Bulkhead EM



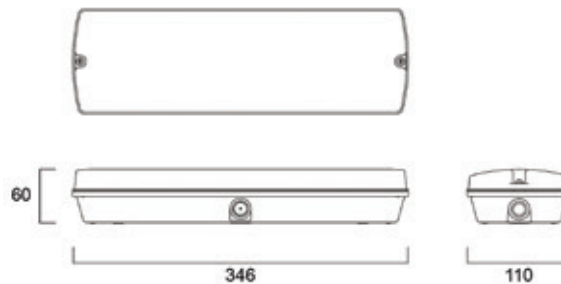
Open - Area (0.5 LX)

CH	Luminaire to luminaire		Wall to luminaire	
	Axial to Axial	Trans to Trans	Axial to Wall	Trans to wall
2m	7.6	9.2	2.8	3.8
2.5m	8.5	10.3	3	4.1
3m	9.2	11.3	3.2	4.25
3.5m	9.9	11.9	3.35	4.45
4m	10.5	12.6	3.5	4.6

Escape Route (1 LX)

CH	Luminaire to luminaire		Wall to luminaire	
	Axial to Axial	Trans to Trans	Axial to Wall	Trans to wall
2m	-	8	-	3.85
2.5m	-	8.6	-	4
3m	-	9.15	-	4.12
3.5m	-	9.55	-	4.3
4m	-	9.7	-	4.2

Dimensions (mm)



Please note spacing tables supplied with this product act as a guide and reference only. A full lighting design scheme should be generated using photometric data and calculated in order to create the final lighting requirements to meet the current regulations and compliance. Sylvania Lighting accepts no responsibility for any lighting scheme that is not compliant based on the use of spacing tables.

Additional Images

