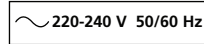




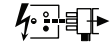
IS1600



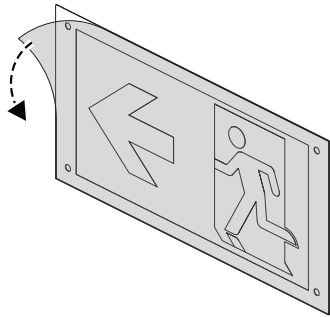
IS500



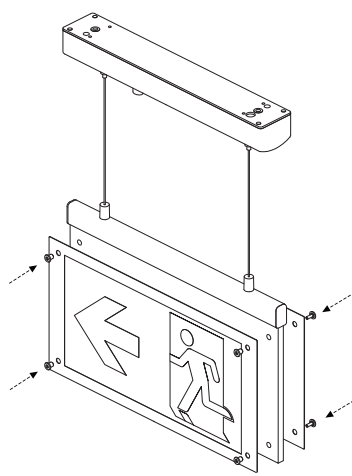
220-240 V 50/60 Hz



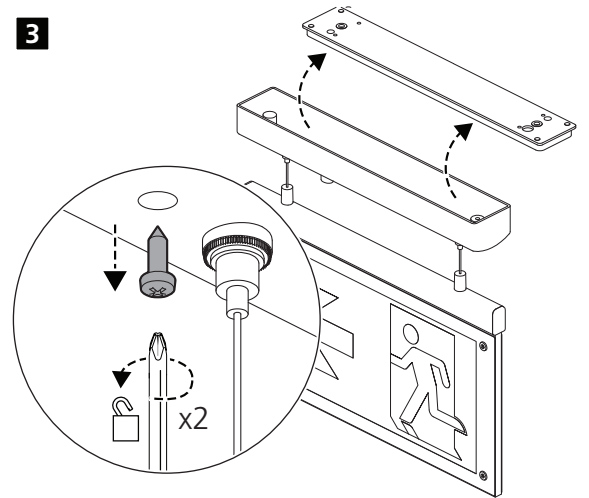
1



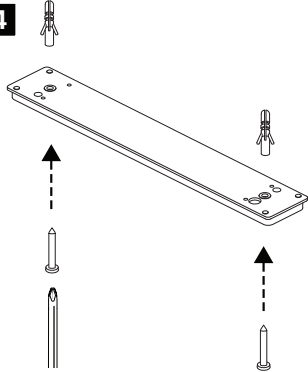
2



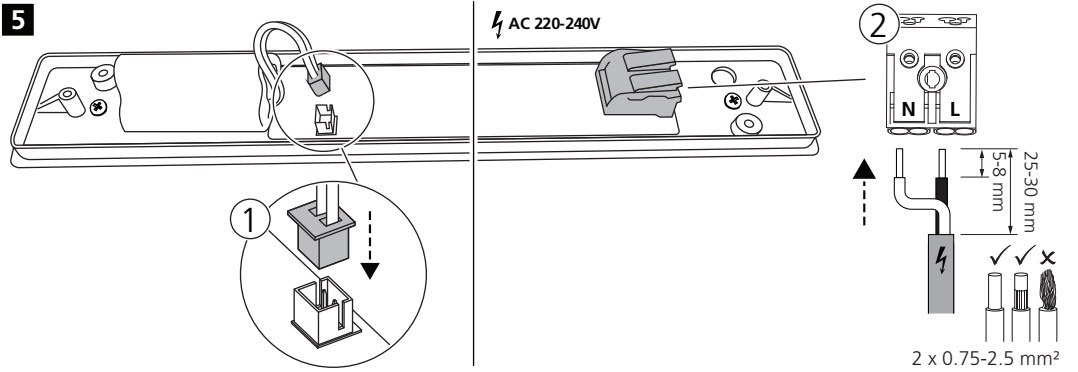
3



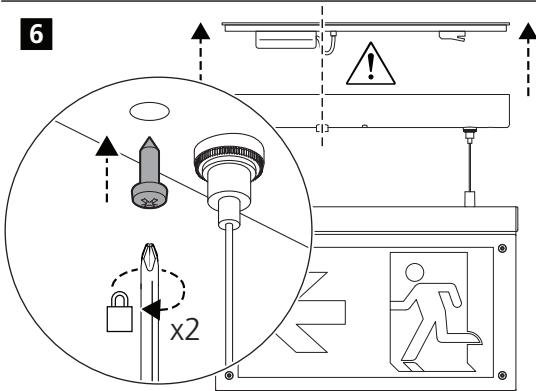
4



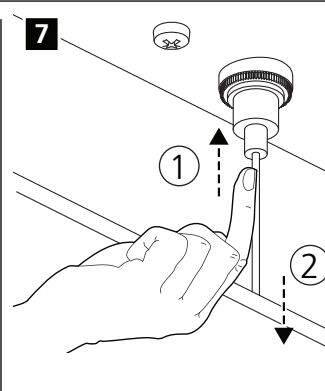
5



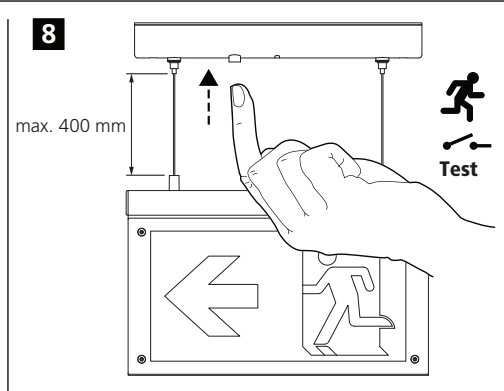
6



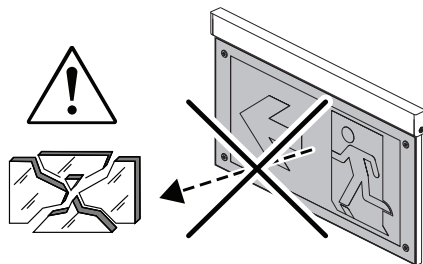
7



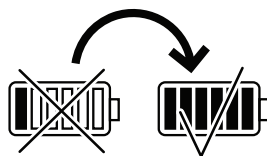
8



!



!



www.sylvania-lighting.com

!

