

**SYLVANIA**



# Reliability and Performance

---

ToLEDo™ Performer

The ToLEDo™ Performer series is a direct retrofit solution to replace high-pressure mercury vapor lamps. It is a quick, safe and easy way to upgrade traditional HID installation to LED while keeping the initial investment low.

[sylvania-lighting.com](http://sylvania-lighting.com)

# ToLEDo™ Performer T-Series



The ToLEDo™ Performer T-Series is a direct retrofit solution to replace high-pressure mercury vapour lamps. It is a quick, safe and easy way to upgrade traditional HID installation to LED while keeping the initial investment low. The robust construction, wide operating temperature and long rated lifetime of 50,000H make this an ideal product for factories, warehouses, industries, street lighting, post-top lighting, etc.

## Features

- Direct retrofit replacement for high-pressure mercury vapor lamps (HPMV)
- 50,000 hours average rated lifetime
- Up to 78% energy saving compared to the standard high-pressure mercury vapor lamps
- Mercury-free solution
- Lower maintenance cost
- High lumen efficacy - up to 131lm/W
- Dual operating mode – compatible with HPMV magnetic ballast and also, suitable for AC direct mains 100-240V operation
- High surge voltage protection: 4kV
- Suitable for both open and enclosed luminaires
- Wide light distribution
- High switching cycles – 200,000X
- High colour rendering – CRI80
- Minimum and maximum operating temperature: -30°C to 50°C

## Product information

Code	Description	Voltage (V)	Power (W)	Luminous Flux (lm)	Efficiency (lm/W)	Colour Temp (K)	CRI	Base	Life (Hours)	Equivalent Wattage (W)	Dimmable (Y/N)	Energy Class	IP Rating	Packaging Qty
<b>ToLEDo™ Performer T-Series</b>														
0028369	ToLEDo Performer T60 2300lm 840 E27 SL	100-240	18	2300	128	4000	80	E27	50,000	140	N	A++	IP42	6
0028370	ToLEDo Performer T60 3400lm 840 E27 SL	100-240	27	3400	126	4000	80	E27	50,000	195	N	A++	IP42	6
0028371	ToLEDo Performer T85 4500lm 840 E27 SL	100-240	36	4500	125	4000	80	E27	50,000	250	N	A++	IP42	6
0028373	ToLEDo Performer T85 6800lm 840 E40 SL	100-240	54	6800	126	4000	80	E40	50,000	365	N	A++	IP42	6
0028375	ToLEDo Performer T130 10500lm 840 E40 SL	100-240	80	10500	131	4000	80	E40	50,000	550	N	A++	IP42	4
0028376	ToLEDo Performer T130 13000lm 840 E40 SL	100-240	100	13000	130	4000	80	E40	50,000	675	N	A++	IP42	4

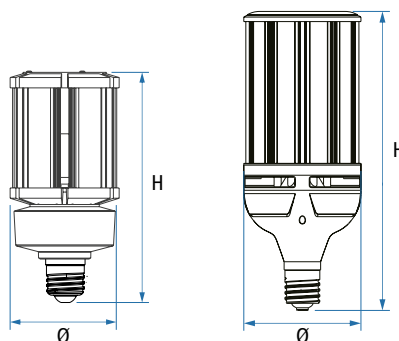
## Additional Images



\*Made to order

## Dimensions (mm)

	Diameter (Ø)	Height (H)	Net Weight (Kg)
0028369	60	150	0.25
0028370	60	175	0.31
0028371	85	204	0.63
0028373	85	245	0.77
0028375	130	293	1.63
0028376	130	320	1.85



# ToLEDo™ Performer H-Series



The ToLEDo™ Performer H-Series is designed for replacing HID lamps for high-bay luminaires to maximise energy savings with wide light distribution. The detachable microwave sensor help automate light management and increase energy savings. It is a quick, safe and easy way to upgrade traditional HID installation to LED while keeping the initial investment low. The robust construction, wide operating temperature and long rated lifetime of 50,000H make this an ideal product for factories, warehouses, industries, etc.

## Features

- Direct retrofit replacement for high-pressure mercury vapor lamps (HPMV)
- 50,000 hours average rated lifetime
- Up to 71% energy saving compared to the standard high-pressure mercury vapor lamps
- Detachable 3.5mm jack plug microwave sensor allow to adjust hold-time and standby brightness level
- Mercury-free solution
- Lower maintenance cost
- High lumen efficacy - up to 135lm/W
- Dual operating mode – compatible with HPMV magnetic ballast and also, suitable for AC direct mains 220-240V operation
- Up and down light distribution
- High surge voltage protection: 4kV
- Suitable for both open and enclosed luminaires.
- Wide light distribution.
- High switching cycles – 200,000X
- High colour rendering – CRI80
- Minimum and maximum operating temperature: -30°C to 50°C

## Product information

Code	Description	Voltage (V)	Power (W)	Luminous Flux (lm)	Efficiency (lm/W)	Colour Temp (K)	CRI	Base	Life (Hours)	Equivalent Wattage (W)	Dimmable (Y/N)	Energy Class	IP Rating	Packaging Qty
<b>ToLEDo™ Performer T-Series</b>														
0028377	ToLEDo Performer H200 10500lm 840 E40 SL	220-240	80	10500	131	4000	80	E40	50,000	550	Y*	A++	IP20	4
0028378	ToLEDo Performer H230 15500lm 840 E40 SL	220-240	115	15500	135	4000	80	E40	50,000	800	Y*	A++	IP20	4

\* Preset dimming - only when used with microwave sensor

## Additional Images



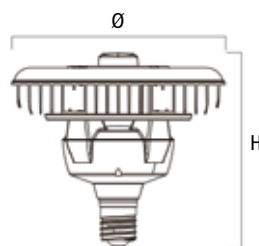
H200 10,500lm



H230 15,500lm

## Dimensions (mm)

	Diameter (Ø)	Height (H)	Net Weight (Kg)
0028377	200	195	1.3
0028378	230	210	1.7



# ToLEDo™ Performer Microwave Sensor



## Features

- The ToLEDo™ Performer H-Series can be used with or without microwave sensor
- Easy to install and remove
- Detachable 3.5mm jack plug
- Maximum detection diameter - 12 meters
- Maximum detection height - 10 meters
- Hold time means full light output and not in standby mode.
- Hold time settings - 30 secs, 90 secs, 5 mins and 10 mins
- Standby brightness settings - 0% (zero light output), 20%, 40% and 60%
- Only works with ToLEDo™ Performer H-Series

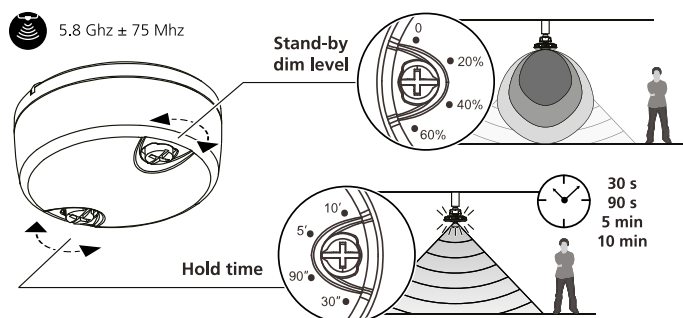
## Additional Images



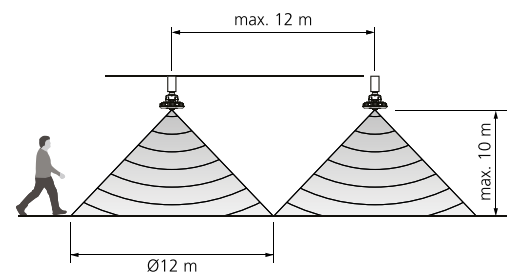
## Dimensions (mm)



## ToLEDo™ Performer Microwave Sensor Functions



## ToLEDo™ Performer Microwave Sensor Range



# HPMV Magnetic Ballast (CCG) Compatibility Overview

Code	Description	50W HPMV Ballast	80W HPMV Ballast	125W HPMV Ballast
0028369	ToLEDo Performer T60 2300lm 840 E27 SL	✓	✓	✓
0028370	ToLEDo Performer T60 3400lm 840 E27 SL	✓	✓	✓
0028371	ToLEDo Performer T85 4500lm 840 E27 SL	✓	✓	✓

Code	Description	250W HPMV Ballast	400W HPMV Ballast
0028373	ToLEDo Performer T85 6800lm 840 E40 SL	✓	✓
0028375	ToLEDo Performer T130 10500lm 840 E40 SL	✓	✓
0028376	ToLEDo Performer T130 13000lm 840 E40 SL	✓	✓
0028377	ToLEDo Performer H200 10500lm 840 E40 SL	✓	✓
0028378	ToLEDo Performer H230 15500lm 840 E40 SL	✓	✓

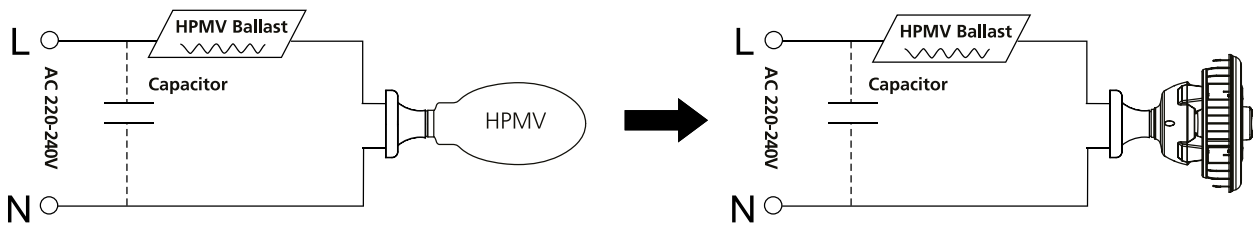


# Installation instructions

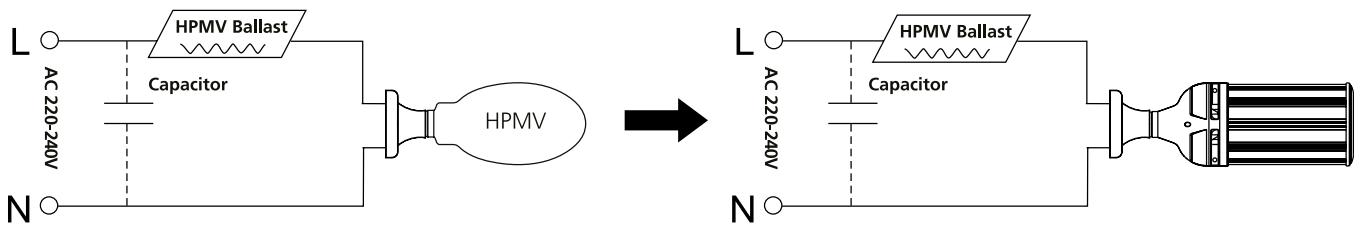
ToLEDo™ Performer

## Magnetic / CCG ballast

⚙️ High Pressure Mercury Vapour (HPMV) Magnetic (CCG) ballast

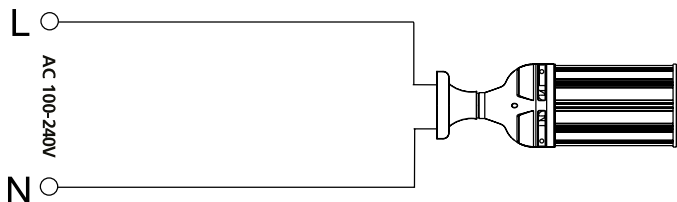


⚙️ High Pressure Mercury Vapour (HPMV) Magnetic (CCG) ballast

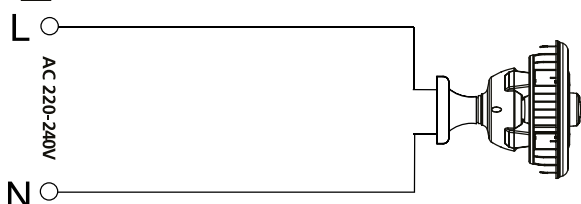


## Direct Mains

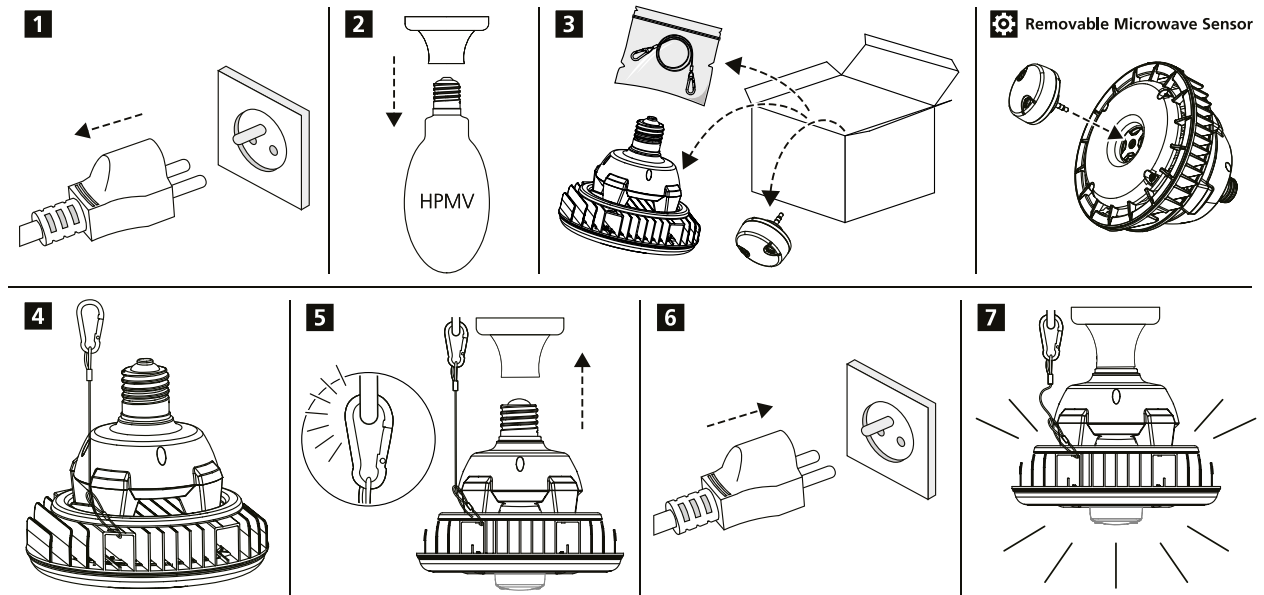
⚙️ AC 100-240V / Direct Mains



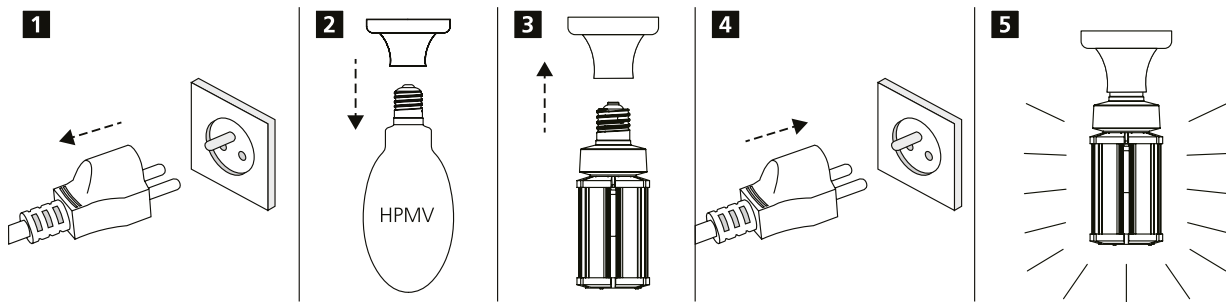
⚙️ AC 220-240V / Direct Mains



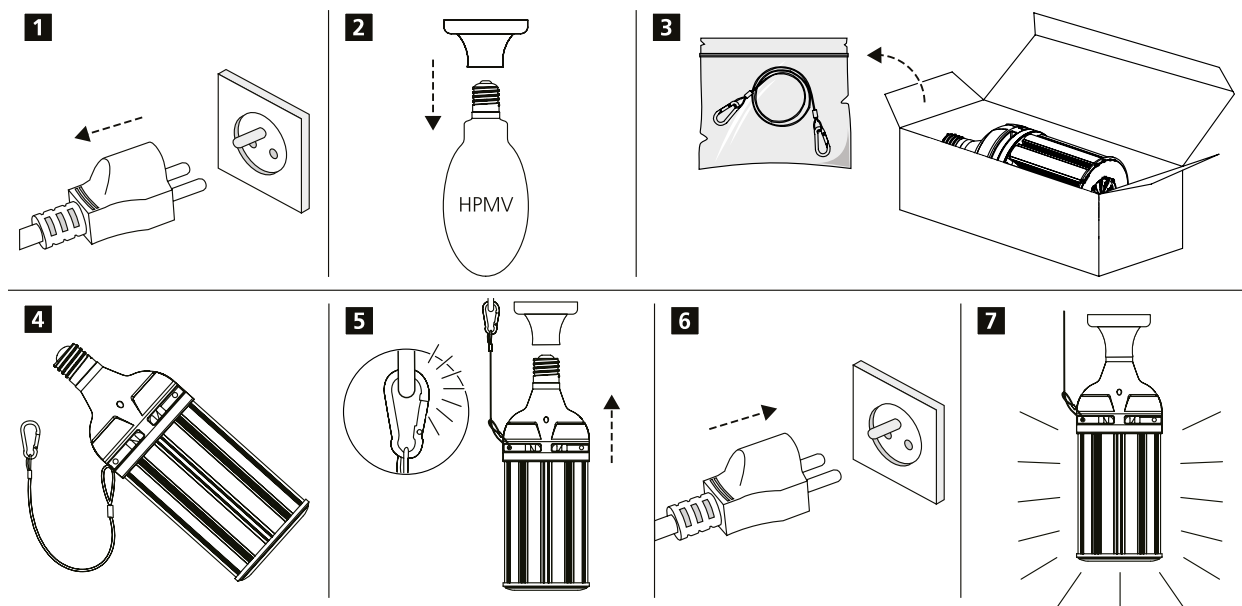
## ToLEDo Performer H200 / H230



## ToLEDo Performer T60 / T85



## ToLEDo Performer T130





Although every effort has been made to ensure accuracy in the compilation of the technical detail within this publication, specifications and performance data are constantly changing. Current details should therefore be checked with Feilo Sylvania Europe Limited.

Copyright Feilo Sylvania Europe Limited April 2019

[sylvania-lighting.com](http://sylvania-lighting.com)

A Feilo Sylvania Company