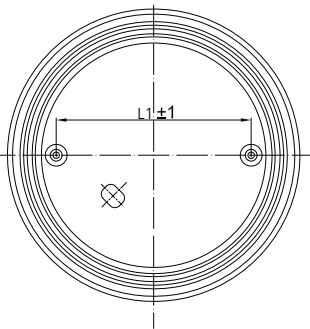
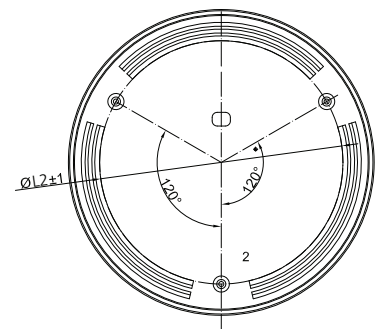


d = 180mm 6W
 d = 250mm 12W
 d = 330mm 17/18W
 d = 360mm 24W

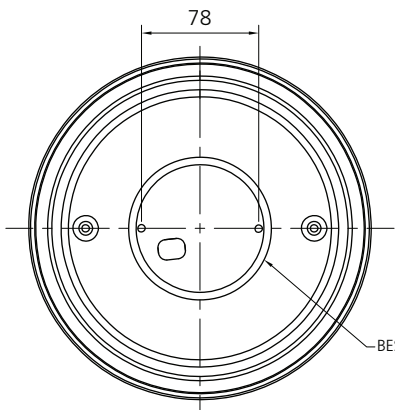
h = 75mm 6W
 h = 80mm 12W
 h = 96mm 17/18W
 h = 100mm 24W



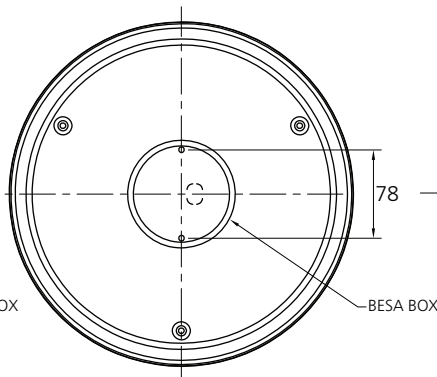
L1 = 78mm 6W



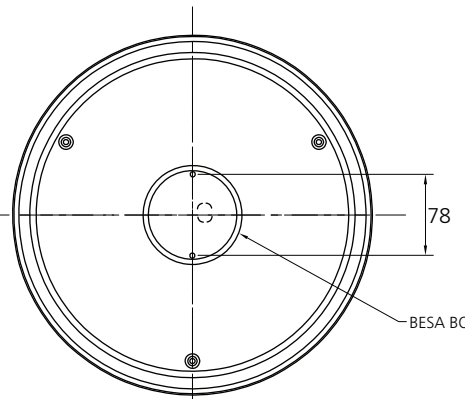
L2 = 180mm 12W
 L2 = 250mm 17/18W
 L2 = 270mm 24W



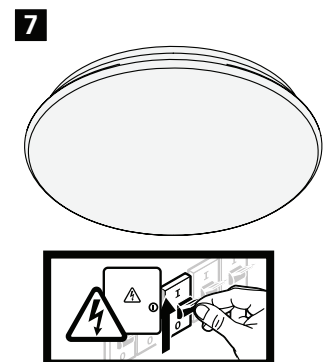
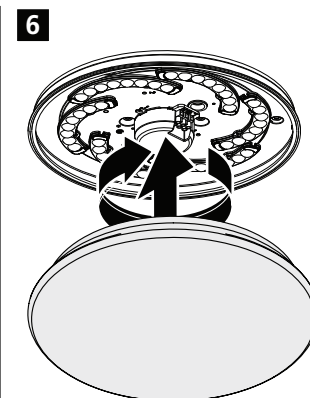
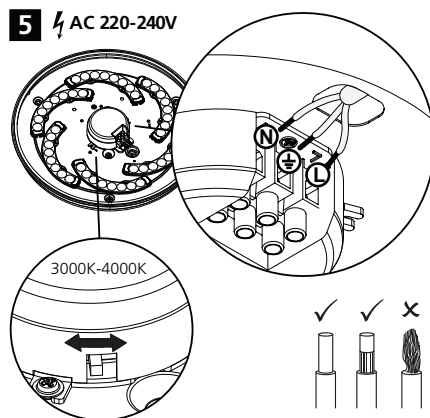
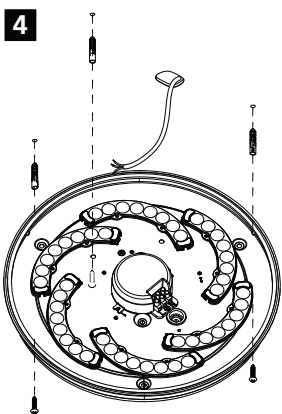
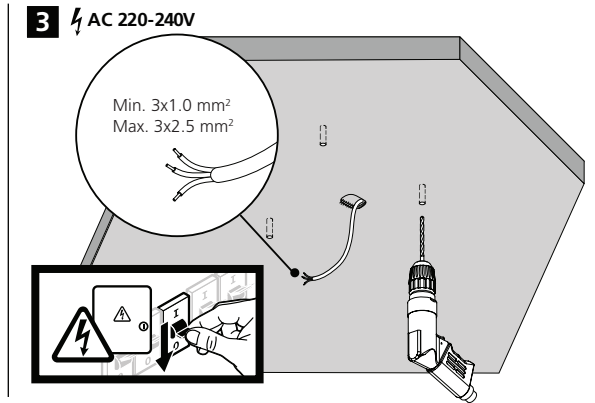
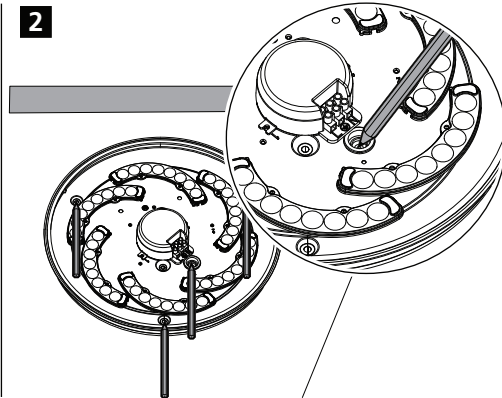
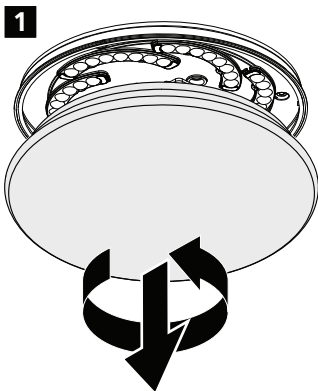
12W



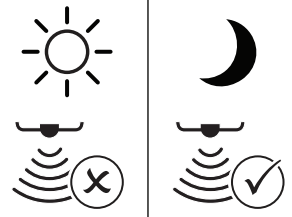
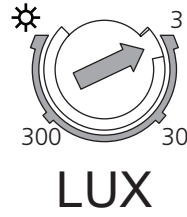
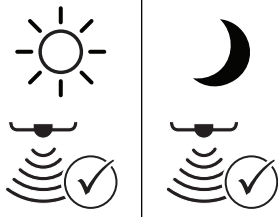
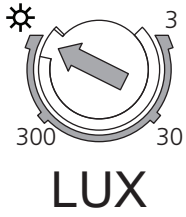
17/18W




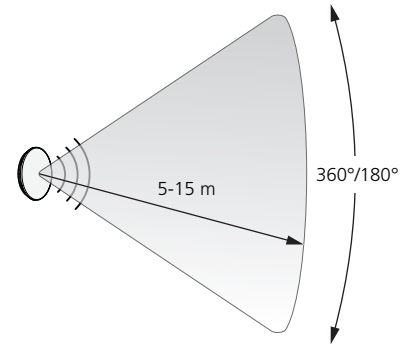
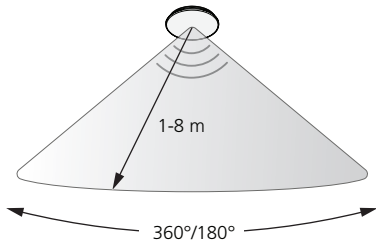
24W



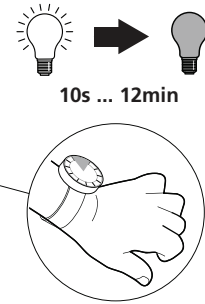
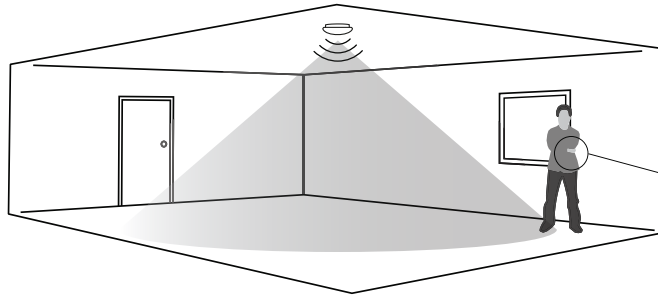
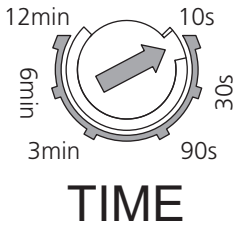
  **Sensitivity**



  **Detection range**



  **Delay**



  **Installation height**

